

2007



Healey Surgeons Inc. Healey Repair Service

7211 Carroll Avenue,
TAKOMA PARK, MD 20912
(301) 270-8811

E MAIL :
ENQUIRIES@HEALEYSURGEONS.COM

Website: www.healeysurgeons.com

Introducing Healey Surgeons Inc & Healey Repair Service LLC:

We are a small specialty shop located just outside of Washington, DC. Healey Surgeons, Inc. specializes in new & used parts sales while Healey Repair Service handles all the, major and minor restorations, mail in repairs and drive in servicing of Austin Healeys from 100 to 3000 models.

Our new parts inventory is one of the most comprehensive in the U.S., offering well over 1,000 different selections. This is further backed by a 99% fill rate and shipping within 24 hours. The staff, with years of experience in Healeying, can assist you in selecting the right parts for your projects. Because of our in house restoration, all our parts have been tried and tested before offering them for sale. After reviewing the price list, you'll find we also offer very competitive prices.

Returns & Refunds:

For a full refund, you must return the goods within 4 weeks in a condition that you would have liked to receive it! The sales receipt must accompany the returned goods or a 15% restocking fee will be charged. No returns will be accepted after 6 months. Used parts returns are subjected to a 50% restocking charge, because of the time we spent removing the item you wanted from the "donor" car.

Warranty:

All goods are backed by manufacturer's warranty and subject to their terms and conditions. Your receipt must accompany warranty claims. Free of charge replacements or full refunds will only be issued after the manufacturer has evaluated the returned item.

HOURS:

Monday-Thursday 9:00-6:00, closed on Fridays

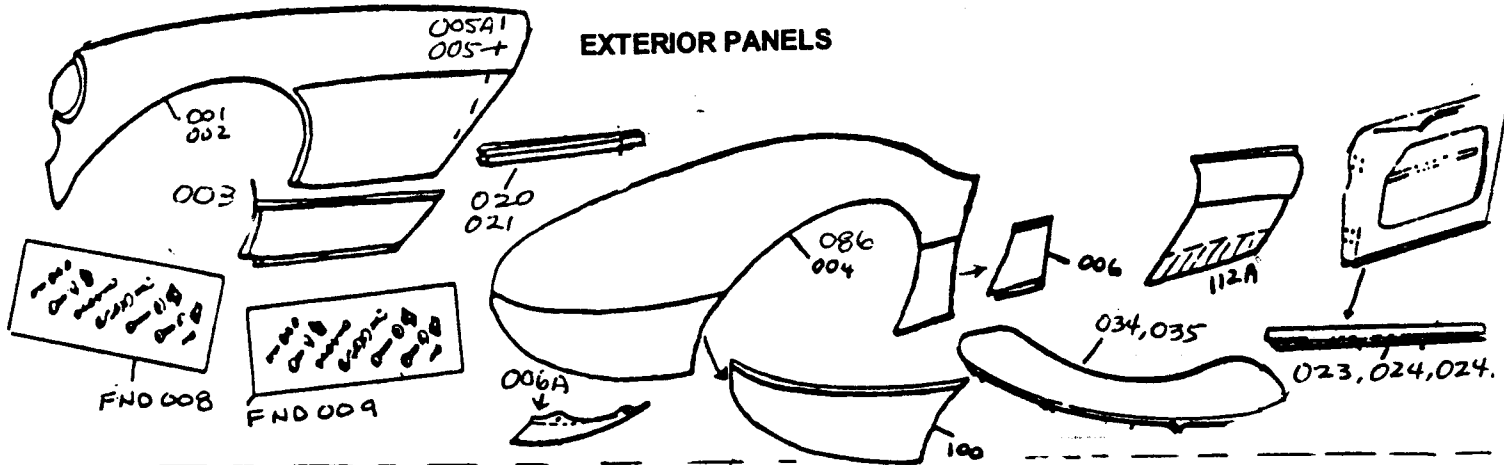
TECHNICAL ASSISTANCE:

9:00-10:30 to minimize work interruptions. Or e-mail us at the above address.

*Note: due to fluctuations in foreign exchange, these prices can change throughout the year.
Please check our website or call us if you wish to verify the latest prices.*

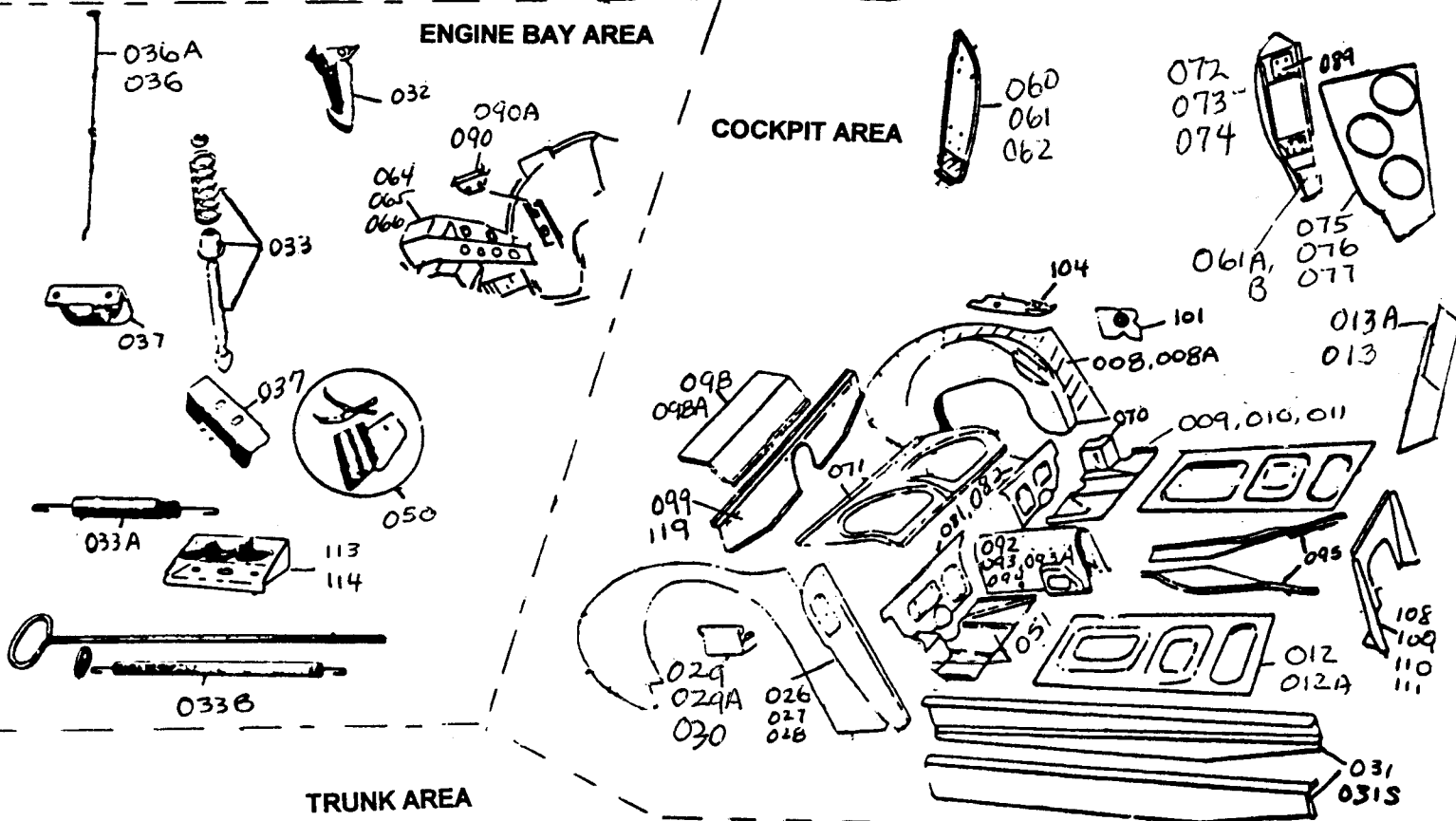
36 years experience in Healeying

EXTERIOR PANELS

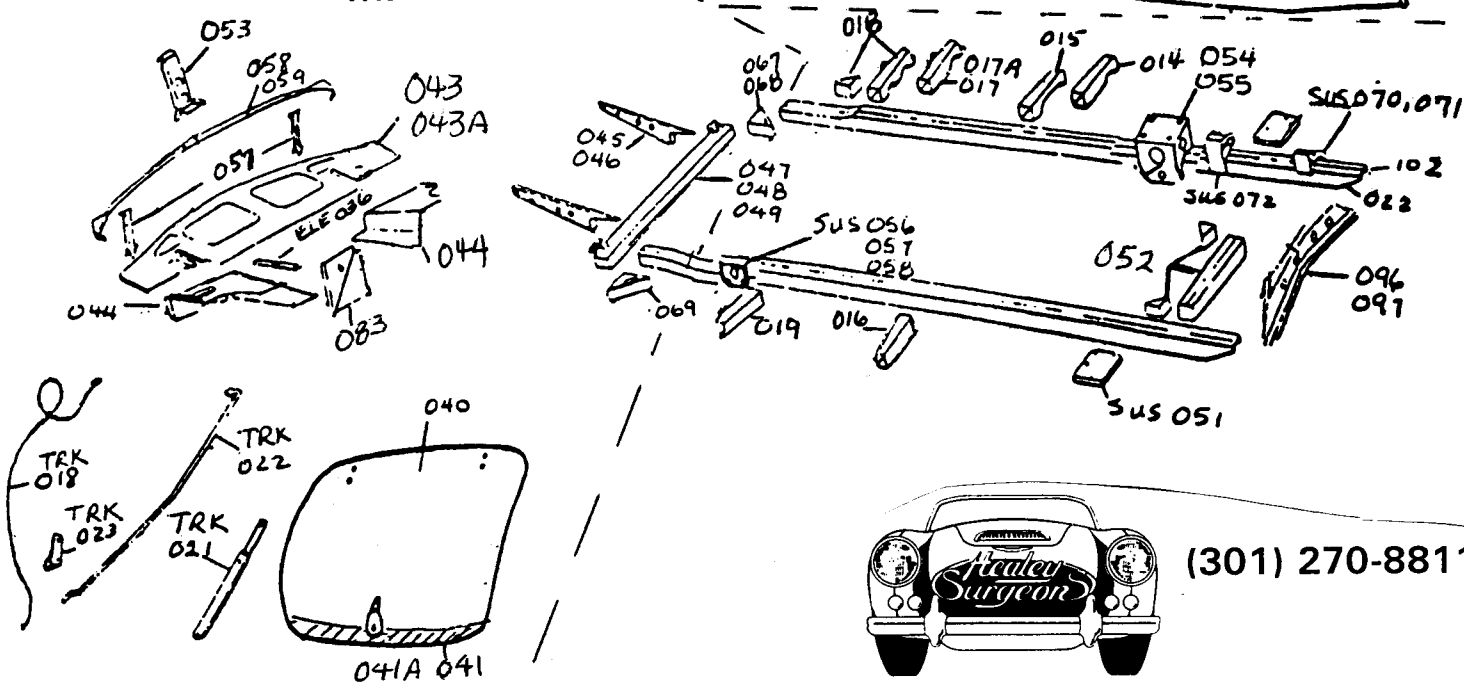


ENGINE BAY AREA

COCKPIT AREA



TRUNK AREA



(301) 270-8811

BODY & STRUCTURAL

When ordering, please specify left (driver) or right (passenger) side.

EXTERIOR PANELS

BDY-034	FRONT BUMPER SPLASH PAN	BN1-BN2	88.00
BDY-035	FRONT BUMPER SPLASH PAN	BN4-BJ8	77.00

FENDERS

BDY-005	FRONT FENDER BRACE	BN1-BT7	35.00
BDY-005A	FRONT FENDER BRACE	BJ 7-BJ8	35.00
BDY-003	FRONT FENDER PATCH PANEL	BN4-BJ8	145.00

BDY-006	REAR FENDER PATCH PANEL (DOG LEG)	BN1-BJ8	65.00
BDY-006A	REAR FENDER PATCH PANEL LOWER LIP	BN1-BJ8	44.00
BDY-100	REAR FENDER REAR QUARTER PATCH	BN1-BJ8	165.00

DOORS

BDY-112A	DOOR SKIN LOWER REPAIR PANEL	BN1-BN2	80.00
BDY-112	DOOR SKIN LOWER REPAIR PANEL	BN4-BJ8	80.00
BDY-023	DOOR REPAIR PANEL (BOTTOM)	BN1-BN2	50.00
BDY-024	DOOR REPAIR PANEL (BOTTOM)	BN4-BT7	50.00
BDY-024A	DOOR REPAIR PANEL (BOTTOM)	BJ7-BJ8	50.00

ROCKER PANELS

BDY-020	OUTER SILL (ROCKER PANEL)	BN1-BN2	45.00
BDY-021	OUTER SILL (ROCKER PANEL)	BN4-BJ8	35.00

Aluminum panels, fenders, shrouds, shroud repair panels, main frames are special order items. Allow 4-6 weeks, please call for price.

ENGINE BAY AREA

BDY-050	WHEEL ARCH SPLASH PANEL SET	BN4-BJ8	70.00
BDY-022	SWAY BAR BRKT MOUNT PLATE (LH/RH)	BN1-BJ8	12.00
BDY-102	CHASSIS TO SHROUD BRACE	BN4-BJ8	18.00
BDY-052	FRONT FRAME CROSS MEMBER	BN1-BJ8	110.00

BDY-096	SHOCK TOWER CROSS MEMBER	BN1-BN2	66.00
BDY-097	SHOCK TOWER CROSS MEMBER	BN4-BJ8	150.00

BDY-064	FIREWALL REINFORCE. BRACE	BN1-BN2	75.00
BDY-065	FIREWALL REINFORCE. BRACE	BN4-BT7	175.00
BDY-066	FIREWALL REINFORCE. BRACE	BJ7-BJ8	175.00

BDY-054	ENGINE FRAME MOUNT	BN1-BN2	80.00
BDY-055	ENGINE FRAME MOUNT	BN4-BJ8	80.00

SHROUD & HOOD

BDY-090A	SHROUD MOUNTING BRACKET SET	BN1-BN2	16.00
BDY-090	SHROUD MOUNTING BRACKET SET	BN4-BJ8	22.00
BDY-091	SAFETY CATCH BRACKET (SHROUD)	BN4-BJ8	18.00

BDY-032	HOOD SAFETY CATCH	BN1-BJ8	22.00
BDY-033	HOOD LOCK STRIKER PIN & SPRING	BN1-BJ8	26.40
BDY-033A	HOOD LOCK RELEASE SPRING	BN4-BJ8	9.00
BDY-033B	HOOD RELEASE ANTI RATTLE SPRING	BN4-BJ8	3.00

BDY-036A	HOOD PROP ROD	BN1-BN2	15.00
BDY-036	HOOD PROP ROD	BN4-BJ8	30.00
BDY-037	HOOD PROP ROD BRACKET (SHROUD)	BN4-BJ8	12.00

** BJ8 PHASE II, WITH RADIUS ARM BOX

COCKPIT AREA

BDY-103	MAIN FRAME TOP/BOTTOM 4' REP. SECT	BN1-BJ8	57.20
BDY-031	INNER & INTERMEDIATE SILL	BN1-BJ8	45.00
BDY-031S	HEAVIER GAUGE INNER & INTERM. SILL	BN1-BJ8	90.00

BDY-104	CONVERTIBLE TOP FRAME MOUNT PANL: WHL ARCH		90.00
BDY-088	SQUARE CAGED NUT	BJ8	2.20

OUTRIGGERS

BDY-014	FRONT OUTRIGGER (LH)	BN1-BJ7	80.00
BDY-015	FRONT OUTRIGGER (LH)	BJ8	80.00
BDY-016	FRONT OUTRIGGER (RH)	BN1-BJ8	80.00

BDY-017	REAR OUTRIGGR,GUSSET (LH)	BN1-BJ7	90.00
BDY-018	REAR OUTRIGGR,GUSSET (LH)	BJ8	90.00
BDY-019	REAR OUTRIGGR,GUSSET (RH)	BN1-BJ8	90.00
BDY-080	REAR OUTRIGGR LEAF SPRING HNGR BRKT	BN1-BJ8	38.00

DOOR HINGE AND STRIKER PANELS

BDY-060	DOOR HINGE PILLAR	BN1-BN2	70.00
BDY-061	DOOR HINGE PILLAR	BN4-BT7	70.00
BDY-062	DOOR HINGE PILLAR	BJ7-BJ8	70.00
BDY-089A	DOOR HINGE BLOCK	EARLY BN1	110.00
BDY-089	DOOR HINGE BLOCK	BN1-BJ8	10.00

BDY-072	DOOR HINGE PILLAR ASSEMBLY	BN1-BN2	165.00
BDY-073	DOOR HINGE PILLAR ASSEMBLY	BN4-BT7	165.00
BDY-074	DOOR HINGE PILLAR ASSEMBLY	BJ7-BJ8	165.00

BDY-075	DOOR HINGE PILLAR BRACE	BN1-BN2	70.00
BDY-076	DOOR HINGE PILLAR BRACE	BN4-BT7	70.00
BDY-077	DOOR HINGE PILLAR BRACE	BJ7-BJ8	70.00

BDY-026	DOOR STRIKER PANEL	BN1-BN2	45.00
BDY-027	DOOR STRIKER PANEL	BN4-BT7	45.00
BDY-028	DOOR STRIKER PANEL	BJ7-BJ8	45.00
BDY-025	DOOR STRIKER PANEL LOWER GUSSET	BN1-BJ8	14.00
BDY-105	DOOR WINDLACING BRACKET SET		6.00

INNER FENDER PATCHES

BDY-008A	INNER REAR FENDER PATCH PANEL	BN1-BN2	60.00
BDY-008	INNER REAR FENDER PATCH PANEL	BN4-BJ8	60.00

FLOOR SECTIONS & RADIUS ARM BOX REPAIR PANELS

BDY-013A	TOE BOARD	BN1-BN2	44.00
BDY-013	TOE BOARD	BN4-BJ8	40.00
BDY-012	FLOOR BOARD	BN1-BJ8	45.00
BDY-095	TRANS TUNNEL FLOOR EDGE SET	CNTRSHFT	120.00

BDY-009	REAR FLOOR	BN1-BN2	25.00
BDY-063	REAR FLOOR	BN6-BN7	40.00
BDY-010	REAR FLOOR	BN4-BJ8	75.00
BDY-011	REAR FLOOR	BJ8**	75.00

BDY-070	RADIUS ARM BOX & GUSSET	BJ8**	45.00
BDY-101	RADIUS ARM PATCH (WHEEL ARCH)	BJ8**	52.00

DRIVESHAFT & TRANSMISSION SECTIONS

BDY-094	INTERMEDIATE DRIVESHAFT TUNNEL	BN1	45.00
BDY-092	DRIVESHAFT TUNNEL	BN1-BN2	80.00
BDY-093A	DRIVESHAFT TUNNEL	BN4	80.00
BDY-093	DRIVESHAFT TUNNEL / SEAT BELT ANCHOR	BT7-BJ8	85.00

BDY-108	TRANS TUNNEL-FIREWALL EXTENS. PNL	BN1	62.00
BDY-109	TRANS TUNNEL-FIREWALL EXTENS. PNL	BN2	62.00
BDY-110	TRANS TUNNEL-FIREWALL EXTENS. PNL	SDSHFT	148.00
BDY-111	TRANS TUNNEL-FIREWALL EXTENS. PNL	CNTSHFT	99.00

BODY/STRUCTURAL

COCKPIT AREA (CON'T)

REAR SEAT & REAR VERTICAL AREA

BDY-081	REAR SEAT HEEL BOARD	BN4-BJ8	95.00
BDY-082	REAR SEAT HEEL BOARD	BJ8**	95.00
BDY-071	REAR SEAT PANEL	BN4-BJ8	220.00
BDY-098	BATTERY HATCH COVER	BN1-BN2	90.00
BDY-098A	BATTERY HATCH COVER	BN6-BN7	82.00
BDY-099	FLOOR-HATCH VERTICAL PANEL	BN1-BN2	180.00
BDY-119	FLOOR-HATCH VERTICAL PANEL	BN6-BN7	180.00

BUMP BOXES

BDY-029	REAR WHEEL ARCH BUMP BOX	BN1	30.00
BDY-029A	REAR WHEEL ARCH BUMP BOX	BN2-BJ7	25.00
BDY-030	REAR WHEEL ARCH BUMP BOX	BJ8**	25.00

TRUNK AREA

BDY-040	TRUNK LID	BN4-BJ8	860.00
BDY-041A	TRUNK LID LOWER REPAIR SECTION	BN1-BN2	70.00
BDY-041	TRUNK LID LOWER REPAIR SECTION	BN4-BJ8	70.00
TRK-021	TRUNK LID PROP MECHANISM	BN1-BN2	24.00
TRK-022	TRUNK LID PROP ROD	BN4-BJ8	30.00
TRK-023	TRUNK LID PROP ROD BRCKT (SHROUD)	BN4-BJ8	7.00
TRK-018	TRUNK LID LIMITER CABLE	BN4-BJ8	28.00

BDY-043A	TRUNK FLOOR	BN1-BN2	130.00
BDY-043	TRUNK FLOOR	BN4-BJ8	130.00
BDY-044	TRUNK FLOOR BOX SECTION (LH/RH)	BN1-BJ8	55.00

BDY-083	BATTERY CABLE PANEL	4 SEATER	32.00
---------	---------------------	----------	-------

BDY-047	REAR CHASSIS CROSS MEMBER	BN1-BN2	200.00
BDY-048	REAR CHASSIS CROSS MEMBER	BN4-BJ8	220.00
BDY-049	REAR CHASSIS CROSS MEMBER	BJ8**	220.00
BDY-067	RR CHASSIS CRSS MEMBR GUSSET (LH)	BN1-BJ7	35.00
BDY-068	RR CHASSIS CRSS MEMBR GUSSET (LH)	BJ8**	40.00
BDY-069	RR CHASSIS CRSS MEMBR GUSSET (RH)	BN1-BJ8	35.00

BDY-045	BUMPER OUTRIGGER	BN1-BN2	90.00
BDY-046	BUMPER OUTRIGGER	BN4-BJ8	90.00
BDY-056	BUMPER OUTRIGGER:SHROUD SUPPORT	BN1-BN2	10.00
BDY-057	BMPR OUTRIGR:SHRD SUPPORT (LH/RH)	BN4-BJ8	22.00

BDY-053	REAR SHROUD TO FLOOR CENTER BRACE	BN1-BJ8	38.00
BDY-058	REAR SHROUD BRACE & END BRACKET	BN1-BN2	55.00
BDY-059	REAR SHROUD BRACE & END BRACKET	BN4-BJ8	55.00

BUMPER

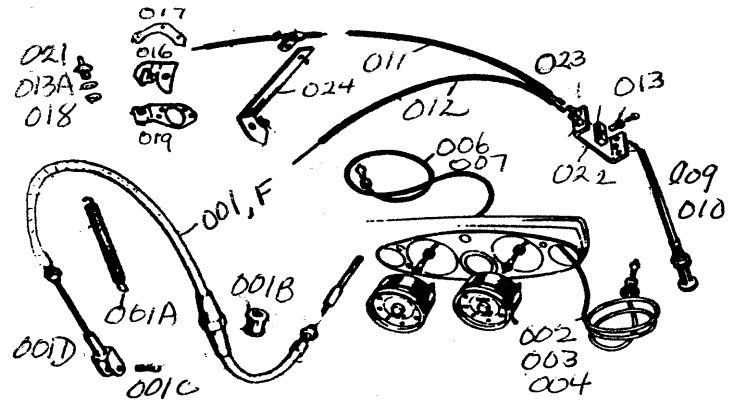
BMP-001A	FRONT BUMPER	BN1-BN2	375.00
BMP-001	FRONT BUMPER	BN4-BJ8	150.00
BMP-002A	REAR BUMPER	BN1-BN2	400.00
BMP-002	REAR BUMPER	BN4-BJ8	140.00
BMP-020	BUMPER OVERRIDER /GUARD	BN1-BN2	45.00
BMP-021	BUMPER OVERRIDER/GUARD	BN4-BJ8	35.00
BMP-022	BUMPER OVERRIDER GASKET	BN1-BJ8	0.55

BMP-006	FRONT BUMPER BRACKET (LH/RH)	BN1-BN2	45.00
BMP-008	FRONT BUMPER BRACKET (LH/RH)	BN4-BJ8	38.00
BMP-007	REAR BUMPER BRACKET (LH/RH)	BN1-BN2	44.00
BMP-009	REAR BUMPER BRACKET (LH/RH)	BN4-BJ8	27.50

BMP-011	BUMPER SPACER WASHER	BN1-BJ8	5.50
BMP-010	CHROME CARRIAGE BOLT:REAR BUMPR	BN4-BJ8	3.30
BMP-005	REAR BUMPER GROMMET (PAIR)	BN1-BJ8	8.80

BOOKS

BOK-001	FACTORY SERVICE MANUAL	BN1-BN2	80.00
BOK-002	FACTORY SERVICE MANUAL	BN4-BJ8	65.00
BOK-003	CD:SERVICE, PARTS & OWNER'S HDBK-SPEC. MODEL		30.00
BOK-005	FACTORY BODY & MECH. PARTS BOOK	BN4-BT7	68.00
BOK-006	FACTORY BODY & MECH. PARTS BOOK	BJ7-BJ8	70.00
BOK-016	OWNER'S HANDBOOK	BN1-BN2	31.00
BOK-017	OWNER'S HANDBOOK	BN4-BN6	31.00
BOK-018	OWNER'S HANDBOOK	BN7-BJ7	31.00
BOK-019	OWNER'S HANDBOOK	BJ8	31.00



CABLES

HANDBRAKE CABLES

CBL-001F	HANDBRAKE CABLE	BN1-BN2	45.00
CBL-001	HANDBRAKE CABLE	BN4-BJ8	33.00
CBL-001A	HANDBRAKE CABLE SPRING	BN1-BJ8	6.60
CBL-001B	HANDBRAKE LINK ROD GROMMET	BN1-BJ8	3.30
CBL-001C	HANDBRAKE CABLE CLEVIS PIN	BN1-BJ8	0.75
CBL-001D	HANDBRAKE CABLE YOKE	BN1-BJ8	12.00
CBL-026	HANDBRAKE CABLE:CHASSIS BRACKET	BN1-BJ8	7.70

SPEEDOMETER & TACHOMETER CABLES

CBL-002	SPEEDOMETER CABLE	BN1-BN2	40.00
CBL-003	SPEEDOMETER CABLE (5'2")	SDSHFT	20.00
CBL-004	SPEEDOMETER CABLE (4'3")	CNTSHFT	22.00
CBL-006	TACHOMETER CABLE	BN1-BN2	23.00
CBL-007	TACHOMETER CABLE	BN4-BJ7	20.00

CHOKE CABLES & CONNECTORS

CBL-009	PRIMARY CHOKE CABLE WITH KNOB	BN1-BT7	20.00
CBL-010	PRIMARY CHOKE CABLE WITH KNOB	BJ7-BJ8	25.00
CBL-011	SECONDARY CHOKE CABLE	BJ7-BJ8	11.00
CBL-012	SECONDARY CHOKE CABLE	BJ7-BJ8	11.00

CBL-022	CHOKE CABLE BRACKET (FIREWALL)	BJ7-BJ8	30.00
CBL-023	SPLITTER BLOCK FOR ABOVE	BJ7-BJ8	12.00
CBL-013	SPLIT BLOCK CHOKE CABLE CONNECTR	BJ7-BJ8	3.30
CBL-024	CHOKE CABLE BRACKET (MANIFOLD)	BJ7-BJ8	10.00

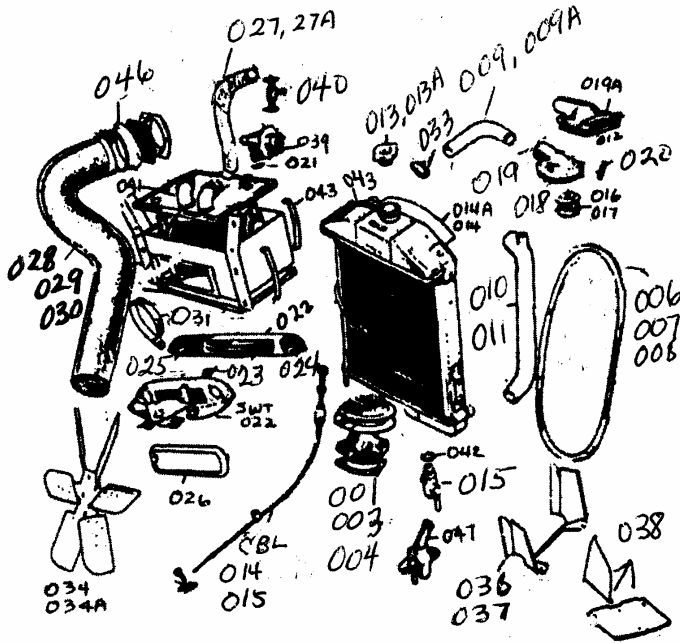
CBL-021	CHOKE CABLE CONNECTOR (CARB END)	BN1-BN2	9.90
CBL-018	CHOKE CABLE CONNECTOR (CARB END)	HS, H CARB	8.80
CBL-013A	CHOKE CABLE CONNECTOR (CARB END)	HD CARB	8.00

CBL-017	CHOKE CABLE BRKT (AIR CLEANER)	BN1-BN2	12.00
CBL-019	CHOKE CABLE BRKT (AIR CLEANER)	HD6 CARB	33.00
CBL-016	CHOKE CABLE BRKT (AIR CLEANER)	HD8 CARB	20.00

HEATER & COLD AIR CABLES

CBL-015	HEATER CABLE	BN4-BJ8	27.00
CBL-014	COLD AIR CABLE	BN4-BJ8	27.00
CBL-025	COLD AIR CABLE CLAMP	BN1-BN2	13.20
CBL-020	CABLE CLAMP	BN4-BJ8	4.00

COOLING & HEATING



WATER PUMPS

COL-001	WATER PUMP	BN1-BN2	110.00
COL-003	WATER PUMP (3/8" PULLEY)	BN4-BJ8	100.00
COL-004	WATER PUMP (1/2" PULLEY)	BJ8	100.00
COL-002	WATER PUMP GASKET	BN1-BN2	2.50
COL-005	WATER PUMP GASKET	BN4-BJ8	2.00

BELTS & HOSES

COL-006	FAN BELT	BN1-BN2	21.00
COL-007	FAN BELT (3/8" PULLEY)	BN4-BJ8	16.00
COL-008	FAN BELT (1/2" PULLEY)	BJ8	20.00

COL-009A	TOP RADIATOR HOSE	BN1-BN2	10.00
COL-009	TOP RADIATOR HOSE	BN4-BJ8	10.00
COL-010	BOTTOM RADIATOR HOSE	BN1-BN2	14.00
COL-011	BOTTOM RADIATOR HOSE	BN4-BJ8	20.00

RADIATOR

COL-043	RADIATOR OVERFLOW PIPE	BN4-BJ8	4.40
COL-013A	RADIATOR CAP	BN1-BN2	6.00
COL-013	RADIATOR CAP	BN4-BJ8	8.80
COL-014A	RADIATOR FAN SHROUD	BN1-BN2	29.00
COL-014	RADIATOR FAN SHROUD	BN4-BJ8	22.00
COL-042	RADIATOR DRAIN TAP FIBER WASHER	BN1-BJ8	0.82
COL-015	RADIATOR DRAIN TAP	BN1-BJ8	24.00

COL-038	AIR PANEL FOR RADIATOR	BN1-BN2	78.00
COL-036	AIR PANEL FOR RADIATOR (HORIZ GRILL)		68.00
COL-037	AIR PANEL FOR RADIATOR (VERT. GRILL)		68.00

FANS & THERMOSTATS

COL-034A	FACTORY 6-BLADED RADIATOR FAN	BN1-BN2	110.00
COL-034	FACTORY 6-BLADED RADIATOR FAN	BN4-BJ8	110.00

COL-016	160 (SUMMER) THERMOSTAT	BN1-BJ8	6.50
COL-017	180 (WINTER) THERMOSTAT	BN1-BJ8	6.50
COL-012	THERMOSTAT GASKET	BN1-BN2	2.20
COL-018	THERMOSTAT GASKET	BN4-BJ8	1.75
COL-019A	THERMOSTAT HOUSING	BN1-BN2	75.00
COL-019	THERMOSTAT HOUSING	BN4-BJ8	22.00
COL-020	THERMOSTAT HOUSING STUD	BN4-BJ8	1.38

HOSE CLAMPS

COL-049	4" WIRE STYLE CLAMP	BN1-BJ8	5.50
COL-048	3-1/4" WIRE STYLE CLAMP	BN4-BJ8	5.00
COL-033	RADIATOR HOSE CLAMP (WIRE)	BN1-BJ8	2.70
COL-032	HEATER HOSE CLAMP (WIRE)	BN1-BJ8	1.40

COL-032A	BAND STYLE HOSE CLAMP	BN1-BN2	2.20
COL-059	BAND STYLE WITH COTTER	BN1-BN2	3.00

AIR DUCTS & SECURING RINGS

COL-028	4" COLD AIR DUCT	BN1-BJ8	30.00
COL-029	4" HEATER DUCT	BN4-BJ8	27.00
COL-030	3-1/4" HEATER DUCT	BN4-BJ8	22.00

COL-031A	COLD AIR DUCT RING	BN1-BN2	11.00
COL-031	COLD AIR DUCT RING	BN4-BJ8	11.00
COL-046	HEATER DUCT FLANGE (BLOWER)	BN4-BJ8	13.50

COPPER PIPE, HEATER & ENGINE DRAIN TAPS

COL-056	COPPER HEATER WATER RETURN PIPE	BN1-BN2	75.00
COL-057	COPPER HEATER WATER RETURN PIPE	BN4-BN6	75.00
COL-058	COPPER HEATER WATER RETURN PIPE	BT7-BJ8	75.00

COL-040	HEATER CUT OFF VALVE	BN1-BN2	33.00
COL-047	HEATER CUT OFF VALVE	BN4-BJ8	71.00
COL-035	ENGINE BLOCK DRAIN TAP	BN4-BJ8	35.20

HEATER & CONTROLS

COL-023A	HEATER KNOB	BN1-BN2	5.15
COL-023	HEATER KNOB	BN4-BJ8	5.15
COL-024	"PUSH" (HEATER) KNOB	BN4-BJ8	4.85
COL-025	"PULL" (COLD AIR) KNOB	BN4-BJ8	4.85
COL-022	HEATER CONTROL PANEL	BN4-BJ8	7.70
COL-026	HEATER CONTROL PANEL BEZEL	BJ8	60.00

HEATER CABLE : SEE CABLE SECTION

COL-041	HEATER VENT ELBOW	BN4-BJ8	11.00
COL-027A	HEATER VENT DUCT (PAIR)	BN1-BN2	20.00
COL-027	HEATER VENT DUCT (PAIR)	BN4-BJ8	12.00

COL-055	HEATER BLOWER CASING	BN4-BJ8	150.00
COL-054	HEATER BLOWER GROMMET	BN4-BJ8	4.00
COL-052	HEATER BOX BOTTOM	BN4-BJ8	40.00
COL-045	HEATER BOX CLIP	BN4-BJ8	2.50

OTHER HEATER BOX COMPONENTS ARE AVAILABLE, PLS CALL FOR PRICE

COL-039	HEATER BOX WATER VALVE	BN4-BJ8	32.00
COL-021	HEATER BOX WATER VALVE ORING	BN4-BJ8	1.10
COL-050	VALVE CABLE	BN4-BJ8	11.00
COL-053	HEATER BOX "SMITH" ID PLATE	BN4-BJ8	5.50

CARPET

Normally, we only stock black carpet kits. All other colors are by special order, please allow 4-6 weeks for delivery. The kits are made like the original sets—no binding along the edges, "Austin" heel pad and felt padding.
 OPTIONS: deluxe pile add \$85, binding along edges add \$15.

CPT-003	CARPET KIT	BN1-BN2	300.00
CPT-004	CARPET KIT	SDSHFT	350.00
CPT-005	CARPET KIT	CNTSFT	350.00
CPT-011	CARPET CLIP ASSEMBLY	BN1-BJ8	0.80
CPT-012	"AUSTIN" HEEL PAD	BN1-BJ8	13.20

UPH-016	REAR DECK KIT & SPARE WHEEL BAG	BN1-BN2	255.00
UPH-037	REAR DECK KIT	BN6-BN7	60.00

CHROME TRIM HAS MOVED TO PAGE 18

ELECTRIC (CON'T)

IGNITION COMPONENTS

ELE-018	IGNITION COIL (PUSH ON ENDS)	BN1-BJ8	27.50
ELE-018A	IGNITION COIL (SCREW ON ENDS)	BN1-BJ8	27.00
ELE-017	SPORTS COIL	BN1-BJ8	40.00
ELE-019	IGNITION COIL DECAL	BN1-BJ8	3.30
ELE-041	POINTS	BN1-BN2	11.00
ELE-042	POINTS	BN4-BJ7	25.00
ELE-043	POINTS	BJ7*-BJ8	5.50
ELE-044	CONDENSER	BN1-BJ8	5.00
ELE-045	ROTOR	BN1-BN2	3.50
ELE-046	ROTOR	BN4-BJ8	5.50
ELE-048A	DISTRIBUTOR TENSION LEAD WIRE	BN1-BN2	16.50
ELE-048B	DISTRIBUTOR TENSION LEAD WIRE	BN4-BJ7	18.70
ELE-048	DISTRIBUTOR TENSION LEAD WIRE	BJ7*-BJ8	9.00
ELE-051	DISTRIBUTOR CAP	BN1-BN2	11.00
ELE-052	DISTRIBUTOR CAP	BN4-BJ7	40.00
ELE-054	DISTRIBUTOR CAP	BJ7*-BJ8	40.00
ELE-080	DISTRIBUTORADVANCE UNIT	BJ7*-BJ8	80.00
ELE-058	SPARK PLUG	BN1-BJ8	2.25
ELE-059	IGNITION WIRE SET	BN1-BJ8	33.00
ELE-057	IGNITION WIRE O RING	BN4-BJ8	0.75
ELE-056A	IGNITION WIRE LABEL SET	BN1-BN2	3.30
ELE-056	IGNITION WIRE LABEL SET	BN4-BJ8	4.95

FUSES

ELE-063	35 AMP FUSE	BN1-BJ8	0.80
ELE-064	50 AMP FUSE	BN1-BJ8	0.80
ELE-066	FUSE BOX	BN1-BJ7	60.00
ELE-067	FUSE BOX	BJ8	17.60
ELE-074	FUSE BOX COVER	BJ8	5.50

MISCELLANEOUS

ELE-071	ENGINE GROUND STRAP	BN1-BJ8	10.50
---------	---------------------	---------	-------

*BJ7 engine 29F3563 onwards

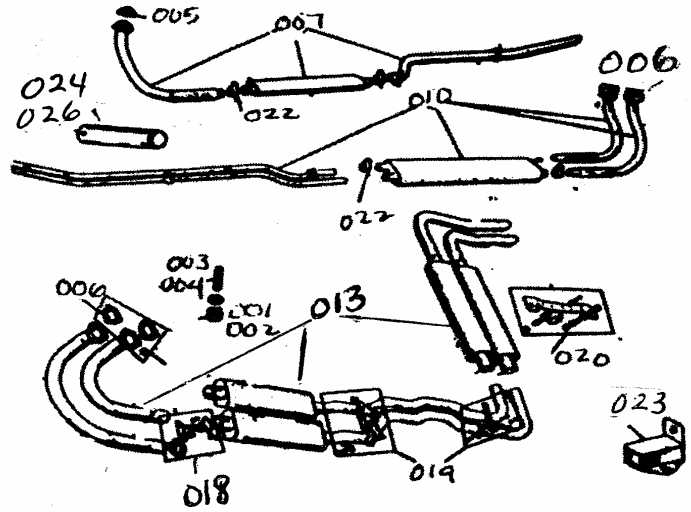
FENDER

FND-001	FENDER SPEAR	BN1-BJ8	26.00
FND-002	FRONT FENDER BEADING	BN1-BJ8	28.00
FND-003	REAR FENDER BEADING	BN1-BJ8	30.00
FND-004A	UPPER FENDER WELT	BN1-BN2	0.83
FND-004	UPPER FENDER WELT	BN4-BJ8	0.83
FND-005A	LOWER FENDER WELT	BN1-BN2	1.10
FND-005	LOWER FENDER WELT	BN4-BJ8	1.10
FND-006	FENDER BOLT	BN1-BJ8	0.44
FND-007	FENDER SPEED NUT	BN1-BJ8	0.55
FND-008	FRONT FENDER KIT (MOUNT 1 FENDER)	BN1-BJ8	13.20
FND-009	REAR FENDER KIT (MOUNT 1 FENDER)	BN1-BJ8	13.20

FASTENER

FSN-001	TENAX STUD (BODY)	BN1-BJ8	1.10
FSN-001A	TENAX STUD (DASH)	BN1-BT7	2.00
FSN-001B	TENAX STUD (BACKREST)	BJ7	1.50
FSN-002	TENAX BUTTON	BN1-BJ8	4.00
FSN-003	LIFT A DOT STUD	BN1-BJ8	1.20
FSN-004	LIFT A DOT PLATE	BN1-BJ8	1.65
FSN-005	TURN BUTTON STUD	BN1-BT7	1.00
FSN-006	TURN BUTTON EYELET	BN1-BT7	1.00
FSN-007	TENAX/LIFT DOT STUD FIBER WASHER	BN1-BJ8	0.22

EXHAUST



EXH-001	MANIFOLD TO HEAD BRASS NUT	BN1-BN2	1.10
EXH-002	MANIFOLD TO HEAD BRASS NUT	BN4-BJ8	0.75
EXH-003	HEADPIPE TO MANIFOLD STUD	BN1-BN2	1.65
EXH-004	HEADPIPE TO MANIFOLD STUD	BN4-BJ8	1.05
EXH-005	HEADPIPE GASKET	BN1-BN2	5.00
EXH-006	HEADPIPE GASKET	BN4-BJ8	6.00
EXH-022	EXHAUST CLAMPS (ORIGINAL STYLE)	BN1-BJ8	5.50
AVAILABLE IN 1.5" 1.75", 1.87" AND 2" SIZES. PLS. SPECIFY MODEL.			
EXH-023	EXHAUST RUBBER HANGER MOUNT	BN1-BJ8	3.30
EXH-030	EXHAUST HANGING STUD (FLOOR)	BN1-BJ8	1.50
EXH-018	FRONT MOUNTING KIT	BJ8	40.00
EXH-019	INTERMEDIATE MOUNTING KIT	BJ8	60.00
EXH-020	REAR MOUNTING KIT	BJ8	60.00

If you only need individual components, not a complete system. Please call for price.

EXH-007	MILD STEEL EXHAUST SYSTEM	BN1-BN2	260.00
EXH-007SS	STAINLESS STEEL EXHAUST SYSTEM	BN1-BN2	290.00
EXH-010	MILD STEEL EXHAUST SYSTEM	BN4-BJ7	380.00
EXH-010SS	STAINLESS STEEL EXHAUST SYSTEM	BN4-BJ7	425.00
EXH-013	MILD STEEL EXHAUST SYSTEM	BJ8	660.00
EXH-013SS	STAINLESS STEEL EXHAUST SYSTEM	BJ8	685.00
CHROME TAILPIPE TIP			
EXH-024	CHROME TAILPIPE TIP	BN1-BN2	10.00
EXH-026	CHROME TAILPIPE TIP	BJ8	12.00

VIST OUR WEBSITE
WWW.HEALEYSURGEONS.COM

FOR:
TECH TIPS
TECH DISCUSSION GROUP
SECURE ON LINE ORDERING
PRICE UPDATES

HEAD

VALVES & GUIDES

ENG-024	INTAKE GUIDE	BN1-BN2	5.50
ENG-028	INTAKE GUIDE	BN4-BJ8	4.40
ENG-025	EXHAUST GUIDE	BN1-BN2	7.00
ENG-029	EXHAUST GUIDE	BN4-BJ8	5.50

ENG-026	INTAKE VALVE	BN1-BJ8	15.00
ENG-023	EXHAUST VALVE	BN1-BN2	13.20
ENG-027	EXHAUST VALVE	BN4-BJ8	10.00
ENG-022	VALVE COLLET	BN1-BJ8	14.00
ENG-022A	VALVE COLLET CLIP	BN1-BJ8	1.10
ENG-021A	VALVE SPRING SET	BN1-BN2	65.00
ENG-021	VALVE SPRING SET	BN4-BJ8	50.00

ROCKERSHAFT

ENG-059	ROCKER SHAFT	BN1-BN2	45.00
ENG-060	ROCKER SHAFT	BN4-BJ8	40.00
ENG-061	ROCKER SHAFT BUSHING	BN1-BJ8	5.00
ENG-063	ROCKER SHAFT PEDESTAL OIL FEED	BN1-BN2	40.00
ENG-064	ROCKER SHAFT PEDESTAL OIL FEED	BN4-BJ8	40.00
ENG-057	BOLT FOR ROCKER SHAFT PED. OIL FEED	BN4-BJ8	9.00
ENG-065	CRUSH WASHER FOR BOLT	BN1-BJ8	1.00
ENG-058A	OIL FEED PIPE	BN1-BN2	26.00
ENG-058	OIL FEED PIPE	BN4-BJ8	26.00

VALVE COVER

MIS-047	VALVE COVER DECAL:AUSTIN (RIVET)	BN4-BJ8	8.80
MIS-048	VALVE COVER DECAL:.012 (RIVET)	BN4-BJ8	8.80
MIS-049	RIVETS FOR DECAL	BN4-BJ8	0.55
MIS-045	VALVE COVER DECAL:AUSTIN (STICK ON)	BJ8	4.95
MIS-046	VALVE COVER DECAL:.012 (STICK ON)	BJ8	4.95

ENG-067A	STAINLESS VALVE COVER T SECTION	BN4-BJ8	48.00
ENG-067B	STAINLESS VALVE COVER BOLT	BN1-BN2	17.00
ENG-067	STAINLESS VALVE COVER BOLT	BN4-BJ8	20.00
ENG-071SS	STAINLESS VALVE COVER CUP WASHER SET	BN1-BJ8	19.00

ENG-068	VALVE COVER OIL FILLER CAP	BN4-BJ8	14.00
ENG-070	VALVE COVER RUBBER BUSH	BN1-BJ8	1.10
ENG-071	VALVE COVER CUP WASHER	BN1-BJ8	2.75

BOTTOM END

CRANKSHAFT

ENG-004	CRANKSHAFT PULLEY	BN1-BN2	160.00
ENG-005	CRANKSHAFT PULLEY (HARMONIC BALANCER)	BN1-BJ8	430.00
ENG-105	CRANKSHAFT PULLEY REPAIR SLEEVE	BN1-BJ8	27.50
ENG-008	CRANKSHAFT WOODRUFF KEY	BN1-BJ8	2.00
ENG-007	CRANKSHAFT NUT	BN1-BJ8	36.00
ENG-006	CRANKSHAFT NUT TAB WASHER	BN1-BJ8	4.00
ENG-001	CRANKSHAFT TIMING GEAR	BN1-BJ8	70.00

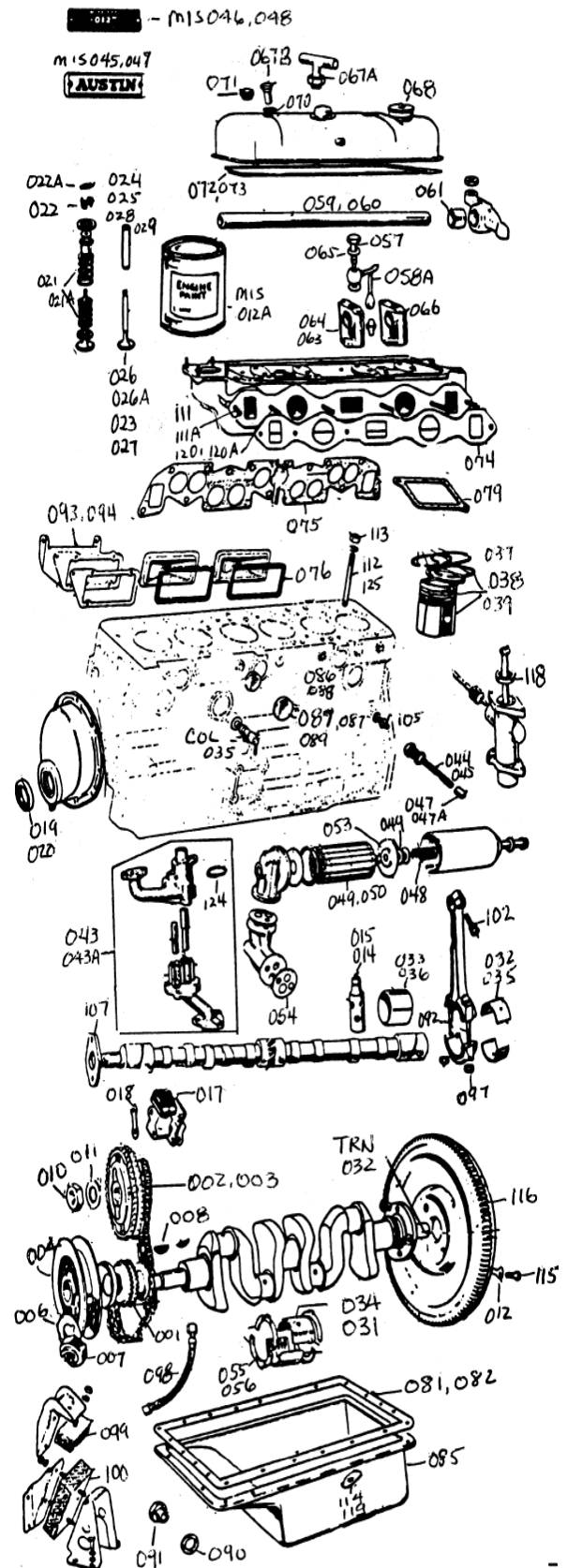
CAMSHAFT & TAPPET

ENG-002	CAMSHAFT TIMING GEAR	BN1-BN2	150.00
ENG-003	CAMSHAFT TIMING GEAR	BN4-BJ8	95.00
ENG-009	CAMSHAFT WOODRUFF KEY	BN1-BJ8	1.40
ENG-010	CAMSHAFT SPROCKET NUT	BN1-BJ8	5.50
ENG-011	CAMSHAFT SPROCKET TAB WASHER	BN1-BJ8	2.20
ENG-107	CAMSHAFT LOCATING THRUST PLATE	BN1-BJ8	20.00
ENG-014	TAPPET (CAM FOLLOWER, LIFTER)	BN1-BN2	15.00
ENG-015	TAPPET (CAM FOLLOWER, LIFTER)	BN4-BJ8	10.00

TIMING

ENG-016	TIMING CHAIN TENSIONER TAB WASHER	BN4-BJ8	1.37
ENG-017	TIMING CHAIN	BN1-BJ8	14.00
ENG-018	TIMING CHAIN TENSIONER	BN4-BJ8	25.00
ENG-138	TIMING CHAIN DAMPNER	BT7-BJ8	17.60
ENG-019	TIMING COVER SEAL	BN1-BN2	1.70
ENG-020	TIMING COVER SEAL	BN4-BJ8	6.60
ENG-114	TIMING COVER OVAL WASHER	BN4-BJ8	0.55

ENGINE



ENGINE (Cont.)

WHEN ORDERING PISTONS, BEARINGS & THRUST WASHERS, PLEASE SPECIFY SIZE: STD, .010, .020, .030 ETC. Limited quantities of AE parts are available, call for price.

BEARINGS & THRUST WASHERS

ENG-055	THRUST WASHER SET	BN1-BN2	18.70
ENG-056	THRUST WASHER SET	BN4-B J8	20.00
ENG-031	MAIN BEARING SET	BN1-BN2	75.00
ENG-034	MAIN BEARING SET	BN4-BJ8	70.00
ENG-032	ROD BEARING SET	BN1-BN2	55.00
ENG-035	ROD BEARING SET	BN4-BJ8	65.00
ENG-033	CAM BEARING SET	BN1-BN2	90.00
ENG-036	CAM BEARING SET	BN4-BJ8	49.50

PISTONS

ENG-037	PISTON & RING SET	BN1-BN2	400.00
ENG-038	PISTON & RING SET(SPEC.BUSH/CLAMP)	BN4-BN6	450.00
ENG-039	PISTON & RING SET	BT7-BJ8	475.00
ENG-140	PISTON RING SET	BN4-BJ8	100.00
ENG-041	PISTON-CONNECTING ROD BUSH SET	BN4-BJ8	30.00

OIL PUMPS, PRESSURE VALVES, SPRINGS

ENG-043A	OIL PUMP	BN1-BN2	600.00
ENG-043	OIL PUMP	BN4-BJ8	550.00
ENG-133	OIL PUMP SUMP	BN1-BN2	132.00
ENG-132	OIL PUMP DELIVERY LINE	BN1-BN2	148.00
ENG-124	OIL PUMP THRUST WASHER	BN4-BJ8	13.20
ENG-044	OIL PRESSURE RELEASE SPRING	BN1-BN2	5.50
ENG-045	OIL PRESSURE RELEASE SPRING	BN4-BJ8	3.58
ENG-047A	OIL PRESSURE RELEASE VALVE	BN1-BN2	6.00
ENG-047	OIL PRESSURE RELEASE VALVE	BN4-BJ8	13.00

OIL FILTERS

ENG-049	FELT OIL FILTER	BN1-BJ8	16.00
ENG-050	PAPER OIL FILTER	BN1-BJ8	8.00
ENG-054	OIL FILTER TO BLOCK GASKET	BN1-BJ8	1.20
ENG-051	OIL FILTER FELT BUSH	BN1-BJ8	1.20
ENG-052	OIL FILTER RUBBER BUSH	BN1-BJ8	0.80
ENG-053	OIL FILTER PRESSURE PLATE	BN1-BJ8	14.30
ENG	OIL FILTER MAGNET	BN1-BJ8	30.00

SUMP

ENG-085A	SUMP (OIL PAN)	BN1-BN2	480.00
ENG-085	SUMP (OIL PAN)	BN4-BJ8	500.00
ENG-091	SUMP DRAIN PLUG	BN1-BJ8	8.00
ENG-090	SUMP DRAIN PLUG COPPER WASHER	BN1-BJ8	0.75
ENG-119	SUMP BOLT OVAL WASHER	BN4-BJ8	0.83

GASKETS

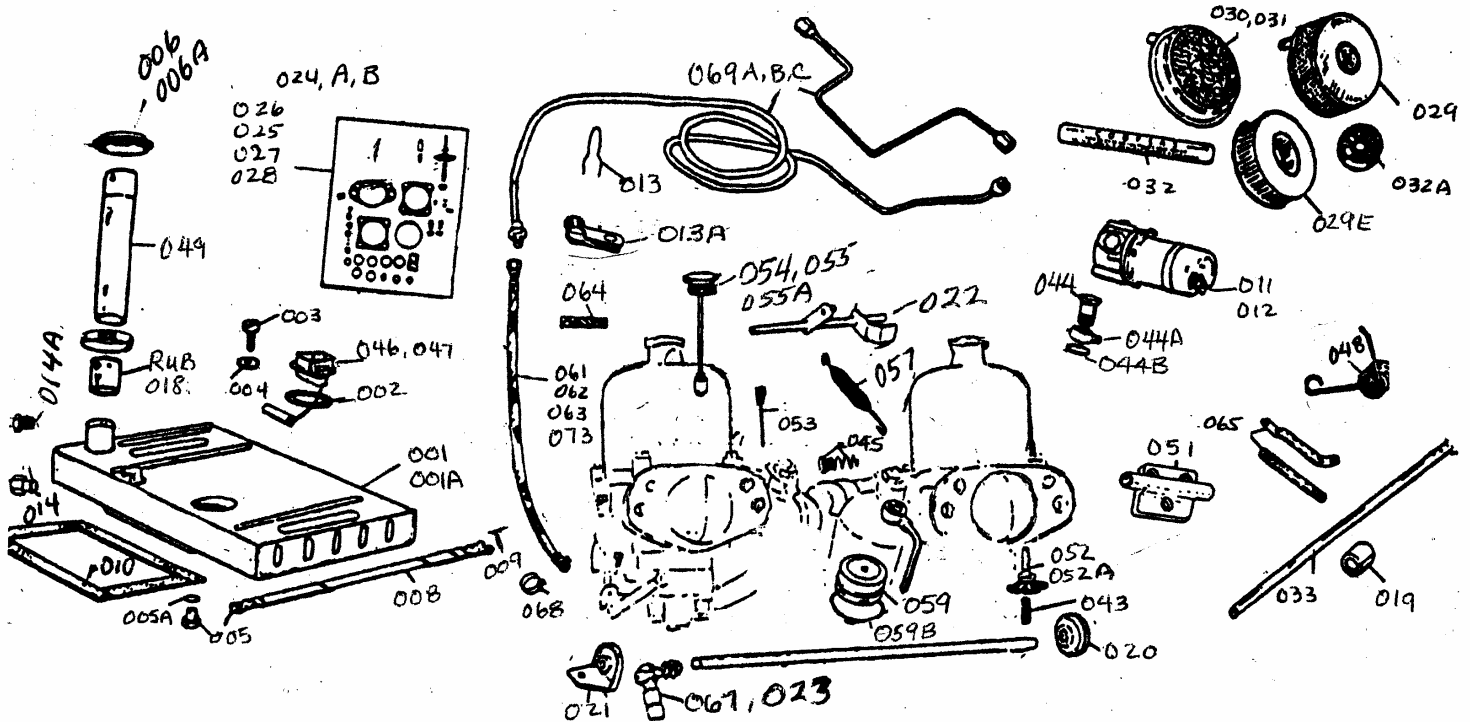
ENG-131	HYLOMAR GASKET SEALANT		18.50
ENG-072	VALVE COVER GASKET	BN1-BN2	5.00
ENG-073	VALVE COVER GASKET	BN4-BJ8	10.00
ENG-074	MANIFOLD GASKET	BN1-BN2	8.80
ENG-075A	MANIFOLD GASKET (LONGBRIDGE)	2 PORT HD	14.30
ENG-075	MANIFOLD GASKET	BN4-BJ8	9.90
ENG-079	INTAKE:EXHAUST MANIFOLD GASKET	BN4-BJ8	3.30
ENG-040A	TIMING COVER GASKET	BN1-BN2	7.00
ENG-040	TIMING COVER GASKET	BN4-BJ8	3.30
ENG-076	CORK TAPPET COVER GASKET	BN4-BJ8	1.00
ENG-076A	PAPER TAPPET COVER GASKET	BN4-BJ8	1.80
ENG-081	SUMP (OIL PAN) GASKET	BN1-BN2	12.00
ENG-082	SUMP (OIL PAN) GASKET	BN4-BJ8	16.00
ENG-077	HEAD GASKET SET	BN1-BN2	100.00
ENG-078	HEAD GASKET SET	BN4-BJ8	71.50
ENG-083	BOTTOM END (CONVERSION) GSKT SET	BN1-BN2	60.50
ENG-084	BOTTOM END (CONVERSION) GSKT SET	BN4-BJ8	44.00
ENG-136	REAR MAIN SEAL KIT	BN1-BN2	198.00
ENG-137	REAR MAIN SEAL KIT	BN4-BJ8	110.00

MISCELLANEOUS

ENG-126	FREEZE PLUG SET	BN1-BN2	11.00
ENG-086	SMALL FREEZE PLUG (SAUCER TYPE)	BN1-BN6	1.35
ENG-087	LARGE FREEZE PLUG (SAUCER TYPE)	BN1-BN6	1.35
ENG-088	SMALL FREEZE PLUG (CUP TYPE)	BT7-BJ8	1.35
ENG-089	LARGE FREEZE PLUG (CUP TYPE)	BT7-BJ8	1.35
ENG-108	OIL PRESSURE GAUGE METAL LINE	BN4-BJ8	30.00
ENG-098	OIL PRESSURE GAUGE FLEX LINE	BN1-BJ8	16.00
ENG-099	ENGINE MOUNT (SIDE)	BN1-BJ8	17.00
ENG-100	ENGINE MOUNT (TOP)	BN1-BJ8	8.00
ENG-093	GENERATOR/TAPPET COVER	BN4-BJ7	165.00
ENG-094	GENERATOR/TAPPET COVER	BJ8	190.00
ENG-013	WATER GALLEY BLANKING PLATE	BN1-BN2	18.00
ENG-118	DISTRIBUTOR SEAL	BN4-BJ7	7.70
ENG-134	SPEEDOMETER SEAL	BN1-BJ8	13.00
ENG-116	STARTER RING GEAR	BN1-BJ8	50.00
MIS-012A	ENGINE PAINT (SPRAY CAN)	BN1-BJ8	16.00
MI S-012	ENGINE PAINT (QUART)	BN1-BJ8	30.80
ENG-106	TUBE FOR OIL DIP STICK	BN1-BN2	11.00
ENG-122	BREATHER PIPE	BN4-BJ8	19.80
ENG-135	BREATHER PIPE HOSE CLAMP	BN4-BJ8	2.00
NUTS & BOLTS			
ENG-102	GUDGEON PIN BOLT	BN1-BN2	2.50
ENG-097A	CONNECTING ROD BOLT	BN1-BN2	2.75
ENG-130	MANIFOLD TO HEAD YOLK WASHER	BN1-BN2	3.30
ENG-095	MANIFOLD TO HEAD BRASS NUT	BN1-BN2	2.20
ENG-111	MANIFOLD TO HEAD STUD (SHORT)	BN1-BN2	1.50
ENG-111A	MANIFOLD TO HEAD STUD (LONG)	BN1-BN2	1.50
ENG-113	HEAD NUT	BN1-BN2	2.20
ENG-112	HEAD STUD	BN1-BN2	7.00
ENG-092	CONNECTING ROD BOLT	BN4-BJ8	19.00
ENG-097	CONNECTING ROD NUT	BN4-BJ8	3.50
ENG-042	MAIN BEARING CAP NUT	BN4-BJ8	3.20
ENG-096	MANIFOLD TO HEAD BRASS NUT	BN4-BJ8	1.65
ENG-120A	MANIFOLD TO HEAD STUD (LONG)	BN4-BJ8	1.60
ENG-120	MANIFOLD TO HEAD STUD (SHORT)	BN4-BJ8	2.00
ENG-110	EXH. MANIFOLD TO HEAD STUD	BN4-BJ8	1.75
ENG-125	HEAD STUD	BN4-BJ8	6.00
ENG-062	ROCKERSHAFT STUD (LONG)	BN4-BJ8	3.30
ENG-062A	ROCKERSHAFT STUD (COVER)	BN4-BJ8	4.75
ENG-062B	ROCKERSHAFT STUD (SHORT)	BN4-BJ8	3.30
ENG-115A	FLYWHEEL BOLT	BN1-BN2	8.00
ENG-115	FLYWHEEL BOLT	BN4-BJ8	3.00
ENG-012	FLYWHEEL TAB WASHER	BN1-BJ8	1.75



FUEL



GAS TANKS (aluminum version also available, please call for price)

FUL-001	STEEL GAS TANK	BN1-BN2	600.00
FUL-001A	STEEL GAS TANK	BN4-BJ8	550.00
FUL-049	GAS TANK FILLER TUBE	BN4-BJ8	50.00
FUL-005	GAS TANK PLUG	BN1-BJ8	6.60
FUL-005A	GAS TANK PLUG COPPER WASHER	BN1-BJ8	0.50
FUL-008	GAS TANK STRAP	BN1-BJ8	32.00
FUL-009	GAS TANK STRAP CLEVIS PIN	BN1-BJ8	1.25
FUL-007	GAS TANK STRAP FIREWALL BRKT	BN1-BJ8	10.00
FUL-010	GAS TANK FOAM PAD	BN4-BJ8	16.50
FUL-002	GAS TANK SENDING UNIT GASKET	BN1-BJ8	1.10
FUL-003	TANK SENDING UNIT COPPER WASHER	BN1-BJ8	0.60
FUL-004	TANK SENDING UNIT SCREW	BN1-BJ8	1.25
FUL-046	SENDING UNIT	BN1-BJ7	50.00
FUL-047	SENDING UNIT	BJ8	50.00

FUEL PUMPS

FUL-011	FUEL PUMP (DUAL POLARITY)	BN1-BN4	165.00
FUL-011PS	ELECTRONIC VERSION POSITIVE GRND	BN1-BN4	180.00
FUL-011NS	ELECTRONIC VERSION NEGATIVE GRND	BN1-BN4	192.00
FUL-012	FUEL PUMP (DUAL POLARITY)	BN4-BJ8	155.00
FUL-012PS	ELECTRONIC VERSION POSITIVE GRND	BN4-BJ8	188.00
FUL-012NS	ELECTRONIC VERSION NEGATIVE GRND	BN4-BJ8	175.00
FUL-012PSQ	FUEL PUMP (SQUARE BODY)	BN4-BJ8	380.00

FUL-071A	FUEL PUMP MOUNTING BRACKET	BN4	18.00
FUL-071	FUEL PUMP MOUNTING BRACKET	BN7-BJ8	28.00
FUL-044	BANJO ADAPTOR	BN4-BJ8	15.00
FUL-044A	BANJO BOLT	BN4-BJ8	6.00
FUL-044B	BANJO BOLT FIBER WASHER	BN4-BJ8	0.50

FUEL HOSES, LINES & FITTINGS

FUL-069A	FUEL LINE KIT	BN1-BN2	70.00
FUL-069B	FUEL LINE KIT	BN4-BJ7	85.00
FUL-069C	FUEL LINE KIT	BJ8	88.00
FUL-013	FUEL LINE CLIP	BN1-BJ7	1.10
FUL-013A	FUEL LINE CLIP	BJ8	1.10
FUL-014	FUEL LINE FITTING (OLIVE & NUT)	BN1-BJ8	7.00
FUL-014A	FUEL LINE FITTING (THREADED END)	BN1-BJ8	7.00
FUL-017	FUEL PUMP LINE ELBOW FITTING	BN4-BJ8	10.00

FUL-061	PETROFLEX:FUEL LINE TO CARB	BN1-BN2	47.00
FUL-062	PETROFLEX:FUEL LINE TO CARB	BN4-BT7	21.00
FUL-073	PETROFLEX:FRONT TO CENTER CARB	TRI-CARB	28.00
FUL-063	PETROFLEX:FUEL LINE TO CARB	BJ7-BJ8	32.00
FUL-064	PETROFLEX:BETWEEN CARBS	BJ7-BJ8	6.60
FUL-068	PETROFLEX CLAMP	BN1-BJ8	1.20
FUL-023	THROTTLE BALL JOINT	BN4-BJ8	14.00
FUL-057	THROTTLE, CHOKE RETURN SPRING	BJ7-BJ8	2.00

CARBS & LINKAGES

<i>EACH OF THESE MAJOR SU KIT DOES ONE CARB:</i>			
FUL-024	H4 CARB KIT	BN1-BN2	75.00
FUL-024B	H6 CARB KIT (LAMANS)	BN2	75.00
FUL-024A	H4 CARB KIT (LONGBRIDGE)	BN4	75.00
FUL-026	HD6 CARB KIT	BN4-BT7	85.00
FUL-025	HS4 CARB KIT (TRI-CARB)		60.00
FUL-027	HS6 CARB KIT	BJ7	50.00
FUL-028	HD8 CARB KIT	BJ8	85.50

FUL-033	H4 THROTTLESHAFT	BN1-BN4	19.00
FUL-035	HD6 THROTTLE SHAFT	BN4-BT7	20.00
FUL-034	HS4 THROTTLE SHAFT	BN7-BT7	19.00
FUL-036	HS6 THROTTLE SHAFT	BJ7	20.00
FUL-037	HD8 THROTTLE SHAFT	BJ8	20.00
FUL-038A	THROTTLE SHAFT BUSH	HS6, HD6	2.20
FUL-038	THROTTLE SHAFT BUSH	HD8	4.00

FUL-052A	JET (DIAPHRAM)	HD6	45.00
FUL-052	JET (DIAPHRAM)	HD8	45.00
FUL-043	JET SPRING	HD CARB	1.10
FUL-053	JET NEEDLE (SPECIFY TYPE OF CARB)		14.00

FUL-054	DAMPER/PISTON	BN4-BT7	18.70
FUL-055A	DAMPER/PISTON	BJ7	18.00
FUL-055	DAMPER/PISTON	BJ8	18.00
FUL-040	CAM SHOE	BJ8	82.00
FUL-022	CARB LINKAGE SHAFT	BJ8	19.80
FUL-072	CARB LINKAGE SHAFT STOP	BJ8	3.30
FUL-045	FUEL BOWL FILTER	BN1-BJ8	6.60
FUL-059B	FUEL BOWL FLOAT (BRASS)	HS6, HS4	22.00
FUL-059	FUEL BOWL FLOAT (BRASS)	HD8	30.00
FUL-070	FUEL BOWL LID (FRONT/REAR)	HD CARB	80.00
FUL-065	CARB TO FUEL BOWL BRACKET	BN1-BN2	45.00
FUL-076	CARB OVERFLOW PIPE		3.00

FUEL (CONT.)

AIR CLEANERS

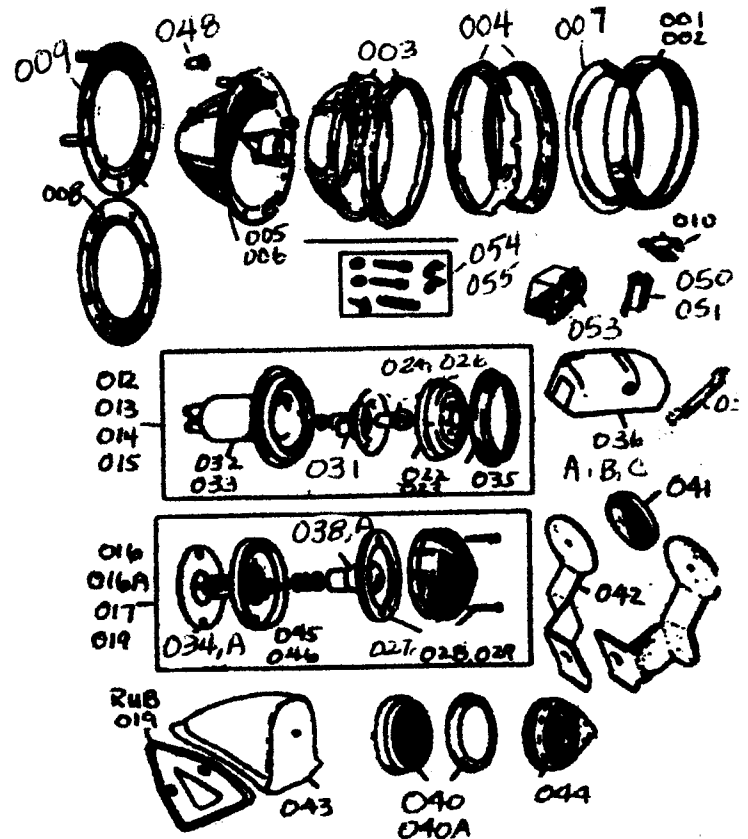
FUL-029	AIR CLEANER (FRONT/REAR)	BN1-BN2	88.00
FUL-030	AIR CLEANER (FRONT/REAR)	BN4-BJ7	45.00
FUL-031	AIR CLEANER (FRONT/REAR)	BJ8	45.00
FUL-029E	AIR CLEANER PAPER ELEMENT	BN1-BN2	14.00
FUL-032A	BURGESS AIR CLEANER DECAL	BN1-BN2	4.50
FUL-032	COOPER AIR CLEANER DECAL	BN4-BJ8	3.00

MISCELLANEOUS

FUL-074	GAS PEDAL	BN1-BN2	55.50
FUL-051	GAS PEDAL BRACKET (FLOOR)	BN1-BN2	27.00
FUL-048	GAS PEDAL SPRING	BN4-BJ8	10.00
FUL-006A	GAS CAP	BN1-BN2	60.00
FUL-006	GAS CAP	BN4-BJ8	12.00
FUL-016	FITTING FOR MANIFOLD DRAINAGE PIPE	BN1-BJ8	1.10
FUL-015	DRAINAGE PIPE (MANIFOLD)	BN1-BJ8	4.40
FUL-015A	DRAIN PIPE BRACKET: SUMP	BN4-BJ8	3.00
FUL-020	THROTTLE LINK BUSH (FIREWALL)	BN4-BJ8	6.00
FUL-021	THROTTLE LINK BUSH (MANIFOLD)	BN4-BJ8	3.80
FUL-075	THROTTLE BUSH CUP	BN4-BJ8	38.00
FUL-019A	THROTTLE BUSH (NYLON)	BJ8	13.00
FUL-019	THROTLE BUSH (FELT)	BN4-BJ7	2.20

SEE ALSO CABLE SECTION FOR CHOKE CABLES

LIGHT



LIGHT

HEADLIGHT/FOG LIGHT/DRIVING LIGHT

LHT-001	HEADLIGHT RIM	BN1-BN2	40.00
LHT-002	HEADLIGHT RIM	BN4-BJ8	44.00
LHT-010	HEADLIGHT RIM SCREW CATCH	BN1-BJ8	3.00
LHT-007	HEADLIGHT RIM DUST EXCLUDER	BN1-BJ8	5.50
LHT-004	3-ADJUSTER INNER RIM	BN1-BJ7	30.00
LHT-003	2-ADJUSTER INNER RIM	BJ8	30.00
LHT-055	3-ADJUSTER SCREW SET	BN1-BT7	7.50
LHT-054	2-ADJUSTER SCREW SET	BJ8	7.50
LHT-008	3-ADJUSTER HEADLIGHT - BODY GASKET	BN1-BJ7	7.50
LHT-009	2-ADJUSTER HEADLIGHT - BODY GASKET	BJ8	10.00
LHT-006	3-ADJUSTER HEADLIGHT BUCKET	BN1-BJ7	18.00
LHT-005	2-ADJUSTER HEADLIGHT BUCKET	BJ8	24.00
LHT-048	HEADLIGHT MOUNTING BRASS NUT	BN1-BJ8	3.30
LHT-011A	HEADLIGHT STONE GUARD SET	BN1-BJ8	16.50
LHT-056	DRIVING LIGHT	BN1-BJ8	100.00
LHT-057	FOG LIGHT	BN1-BJ8	100.00

TURN SIGNAL

LHT-012	CLEAR LENS ASSEMBLY	BN1-BN2	36.00
LHT-013	RED LENS ASSEMBLY	BN1-BN2	34.00
LHT-014	CLEAR LENS ASSEMBLY	BN4-BJ7	34.00
LHT-015	RED LENS ASSEMBLY	BN4-BJ7	34.00
LHT-016	CLEAR LENS ASSEMBLY (DUAL FUNCTION)	BJ8	38.00
LHT-016A	CLEAR LENS ASSEMBLY (SINGLE FUNCT)	BJ8	38.00
LHT-019	RED LENS ASSEMBLY	BJ8	38.00
LHT-017	AMBER LENS ASSEMBLY	BJ8	38.00

LHT-022	CLEAR LENS	BN1-BN2	14.00
LHT-023	RED LENS	BN1-BN2	18.00
LHT-026	CLEAR LENS	BN4-BJ7	18.00
LHT-024	RED LENS	BN4-BJ7	18.00
LHT-027	AMBER LENS	BJ8	12.00
LHT-028	CLEAR LENS	BJ8	12.00
LHT-029	RED LENS	BJ8	12.00

LHT-035	CHROME RETAINER RIM FOR LENS	BN1-BJ7	5.00
---------	------------------------------	---------	------

BULB HOLDER

LHT-021	BULB HOLDER	BN1-BN 2	17.00
LHT-031	BULB HOLDER	BN4-BJ7	15.00
LHT-032	BULB HOLDER TO BODY GASKET	BN1-BN2	6.60
LHT-033	BULB HOLDER TO BODY GASKET	BN4-BJ7	6.60
LHT-034	BULB HOLDER TO BODY GASKET	BJ8	2.50
LHT-034A	BULB HOLDER SOCKET BOOT	BJ8	2.50

FLASHER

LHT-030	DASH FLASHER BULB HOLDER	BN1-BJ7	7.70
LHT-050	FLASHER UNIT	BN1-BJ7	16.50
LHT-051	FLASHER UNIT	BJ8	11.00
LHT-053	FLASHER RELAY BOX	BN1-BJ8	155.00

LICENSE PLATE LIGHT ASSEMBLY

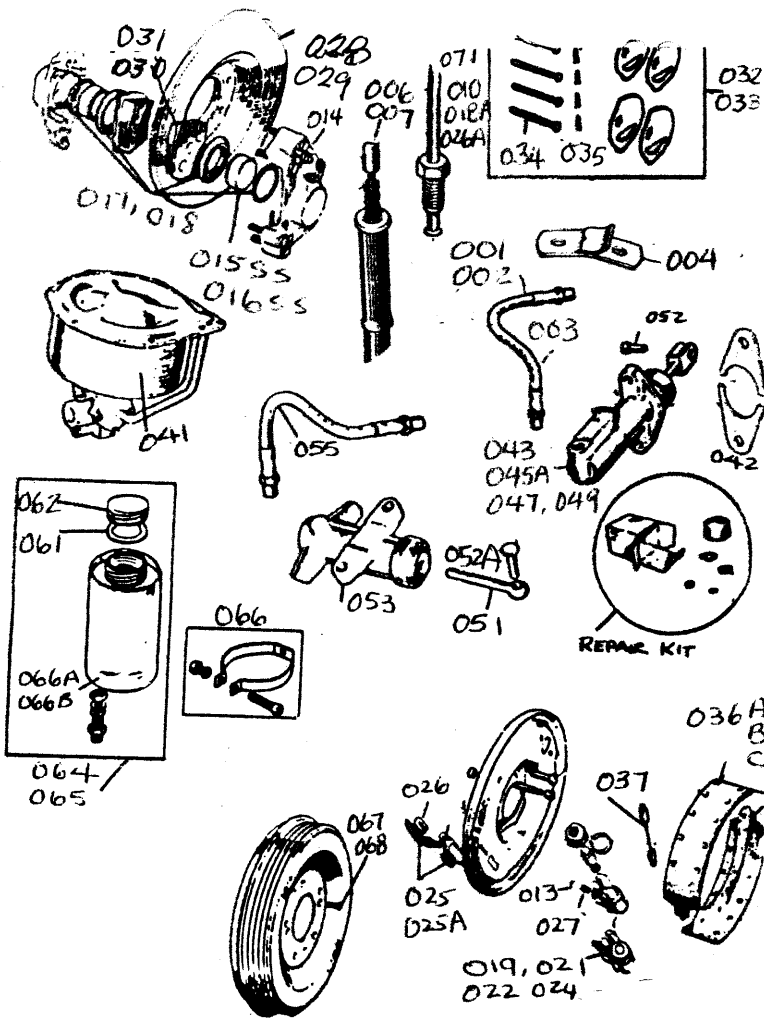
LHT-036	LIGHT ASSEMBLY	BN1-BJ8	25.00
LHT-036A	MOUNTING BRACKET	BN4-BJ8	6.60
LHT-036B	CHROME COVER	BN1-BJ8	11.00
LHT-036C	GLASS LENS	BN1-BJ8	10.00

BULB

LHT-037	INSTRUMENT BULB	BN1-BJ8	1.10
LHT-038A	TURN SIGNAL (DUAL FUNCTION)	BN1-BJ8	1.10
LHT-038	TURN SIGNAL (SINGLE:RUNNING LTG)	BJ8	1.10
LHT-038B	TURN SIGNAL BULB (SINGLE:TURN SIGNAL)	BJ8	1.10
LHT-039	LICENSE PLATE LIGHT BULB	BN1-BJ8	0.93

REAR REFLECTOR

LHT-043	REFLECTOR POD (LH/RH)	BN1-BN2	55.00
LHT-040A	REFLECTOR	BN1-BN2	25.00
LHT-044	REFLECTOR WITH CONE COVER	BN4-BN6	19.50
LHT-040	REFLECTOR FOR SHROUD	BN4-BJ8	22.00
LHT-041	REFLECTOR FOR BUMPER	BJ8	29.00
LHT-042	REFLECTOR BRACKET: BUMPER (LH/RH)	BJ8	20.00
LHT-035	CHROME RIM FOR REFLECTOR	BJ8	5.00



HYDRAULIC: BRAKE & CLUTCH

HANDBRAKE COMPONENTS:SEE CABLE SECTION

HOSES, LINES, CLIPS & BRACKETS

HYD-002	FRONT & REAR BRAKE HOSE	BN1-BN4	20.00
HYD-003	REAR BRAKE HOSE	BN6-BN6	20.00
HYD-001	FRONT BRAKE HOSE	BN7-BJ8	22.00
HYD-002	REAR BRAKE HOSE	BN7-BJ8	20.00
HYD-004	BRAKE HOSE TO CHASIS BRACKET	BN1-BJ8	8.00
HYD-069	BRAKE HOSE COPPER WASHER	BN1-BJ8	0.55

HYD-038	BRAKE PIPE CLIPS	BN1-BJ8	1.00
HYD-008	UNION TO LH FRONT BRAKE LINE	BN7-BJ8	16.00
HYD-018A	CALIPER LINE	BT7-BJ8	12.00
HYD-026A	LONG REAR WHEEL CYLINDER LINE	BN1-BJ8	16.00
HYD-071	SHORT REAR WHEEL CYLINDER LINE	BN1-BJ8	15.00
HYD-040	SERVO LINE	BJ8	15.00
HYD-070	FRONT TO REAR LINE	BN4-BJ8	20.00
HYD-065B	RESERVOIR TO MASTER CYLINDER LINE	BN1-BN2	22.00
HYD-065A	RESERVOIR TO MASTER CYLINDER LINE	BN4-BJ8	22.00

FRONT BRAKES: 100 & 100-6

HYD-019K	7/8" CYLINDER REP KIT	BN1-BN2	33.00
HYD-019	7/8" CYLINDER (LH/RH)	BN1-BN2	80.00
HYD-021K	1" CYLINDER REP KIT	BN1-BN6	32.00
HYD-021	1" CYLINDER (LH/RH)	BN1-BN6	70.00
HYD-021A	DISC WHEEL CYLINDER	BN4-BN6	85.00
HYD-021AK	DISC WHEEL CYL. REP KIT	BN4-BN6	31.00
HYD-027	CYLINDER BLEED SCREW	BN1-BJ8	4.50
HYD-013	CYLINDER BLEED SCREW CAP	BN1-BJ8	0.55

HYD036AR	FR SHOES (SET) SEND CORE FOR REB	BN1	66.00
HYD036BR	FR SHOES (SET) SEND CORE FOR REB	BN2-BN4	55.00

FRONT BRAKES: 3000

HYD-014	CALIPER BLEED SCREW	BT7-BJ8	3.30
HYD015SS	CALIPER PISTON	BT7-BJ8*	34.00
HYD016SS	CALIPER PISTON	BJ8**	34.00
HYD-017	CALIPER KIT	BT7-BJ8	25.00
HYD-018	CALIPER KIT	BJ8**	22.00
HYD-023A	CALIPER BOLT	BT7-BJ8*	14.00
HYD-023	CALIPER BOLT	BJ8**	14.00

HYD-028	BRAKE ROTOR	BT7-BJ8*	75.00
HYD-029	BRAKE ROTOR	BJ8**	65.00
HYD-034	BRAKE PAD KEEPER PIN	BN7-BJ8	4.00
HYD-035	BRAKE PAD KEEPER PIN CLIPS	BN7-BJ8	1.00
HYD-030	BRAKE PAD SET	BN7-BJ8	58.00
HYD-031	BRAKE PAD SET	BJ8	32.00
HYD-032	ANTI-SQUEAL KIT	BN7-BJ8	55.00
HYD-033	ANTI-SQUEAL KIT	BJ8	28.00

MASTER CYLINDERS & SERVO

HYD-041	REPLACEMENT SERVO	BJ8	460.00
HYD-041A	REPLACEMENT SERVO MOUNTING BRKT	BJ8	45.00
HYD-041B	SERVO VACUUM HOSE	BJ8	18.00
HYD-056	SERVO /BREATHER HOSE CLAMP	BJ8	20.00
HYD-043	BRAKE MASTER CYLINDER	BN1-BN2	380.00
HYD-044	BRAKE MASTER CYLINDER REPAIR KIT	BN1-BN2	35.00
HYD-045A	BRAKE MASTER CYL (SEP. RESERVOIR)	BN4	100.00
HYD-046	BRAKE MASTER CYLINDER REPAIR KIT	BN4-BN6	18.70
HYD-047	BRAKE & CLUTCH MASTER CYLINDER	BN7-BJ8	85.00
HYD-048	REPAIR KIT FOR ABOVE	BN4-BJ8	18.00
HYD-049	BRAKE MASTER CYLINDER	BJ8	155.00
HYD-050	BRAKE MASTER CYLINDER REPAIR KIT	BJ8	20.00
HYD-042	MASTER CYLINDER PACKING	BN4-BJ8	4.40
HYD-052	CLEVIS PIN FOR MASTER CYLINDER	BN4-BJ8	1.75

REAR BRAKES

HYD-037	REAR SHOES RETURN SPRING	BN2-BJ8	9.00
HYD-036CR	RR SHOES (SET) SEND CORES FOR REB.	BN1*	55.00
HYD-036R	RR SHOES (SET) SEND CORES FOR REB.	BN1**BJ8	45.00

HYD-022A	REAR WHEEL CYLINDER	BN1*	85.00
HYD-021K	REAR WHEEL CYLINDER REPAIR KIT	BN1*	32.00
HYD-022	REAR WHEEL CYLINDER	BN1**BN6	30.00
HYD-022K	REAR WHEEL CYLINDER REPAIR KIT	BN1**BN6	20.00
HYD-024	REAR WHEEL CYLINDER	BN7-BJ8	70.00
HYD-024K	REAR WHEEL CYLINDER REPAIR KIT	BN7-BJ8	36.00
HYD-025A	REAR WHEEL CYL DUST SEAL (LH/RH)	BN1*	31.00
HYD-025	REAR WHEEL CYLINDER DUST SEAL	BN1**BJ8	4.40
HYD-026	REAR WHEEL CYL LOCK PLATE SET	BN1**BJ8	6.60

HYD-039	FELT STEADY POST	BN1**BJ8	1.10
---------	------------------	----------	------

MISCELLANEOUS

HYD-059	BRAKE FLUID (PT)	BN1-BJ8	4.00
HYD-060	SILICON BRAKE FLUID (QT)	BN1-BJ8	27.50
HYD-061	BRAKE FLUID RESERVOIR TOP GASKET	BN1-BJ8	1.10
HYD-062	BRAKE FLUID RESERVOIR TOP	BN1-BJ8	6.00
HYD-064	BRAKE FLUID RESERVOIR	BN1-BN2	55.00
HYD-065	BRAKE FLUID RESERVOIR	BN4-BJ8	85.00
HYD-066	BRAKE FLUID RESERVOIR HOLDER	BN4-BJ8	12.00
HYD-066A	BRAKE FLUID RESERV STICKER DECAL	BN1-BN6	7.00
HYD-066B	BRAKE FLUID RESERVOIR DECAL	BN7-BJ8	6.10

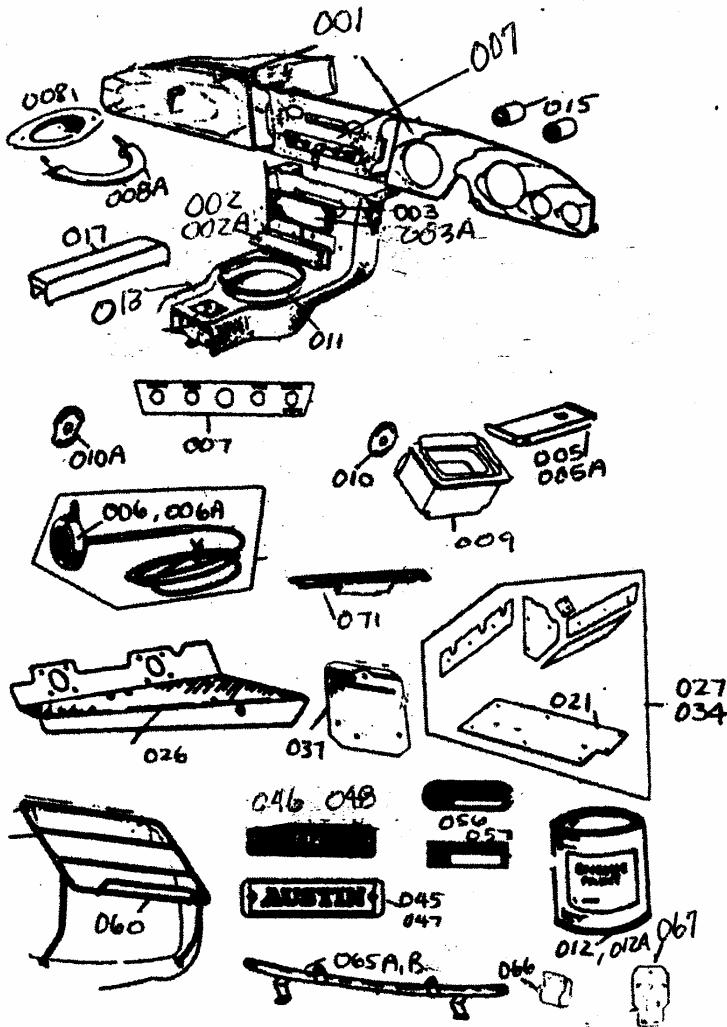
HYD-067	BRAKE DRUM SCREW	WIRE WHEEL	1.10
HYD-068	BRAKE DRUM SCREW	DISC WHEEL	1.10

*to BN1 221535 **BN1 221536 onwards ***BJ8 26705 onwards

CLUTCH

HYD-047	MASTER CYLINDER	BN4-BJ8	85.00
HYD-048	REPAIR KIT FOR CLUTCH MASTER CYL	BN4-BJ8	18.00
HYD-053	SLAVE CYLINDER	BN4-BJ8	68.00
HYD-054	SLAVE CYLINDER REPAIR KIT	BN4-BJ8	11.50
HYD-027	CYLINDER BLEED SCREW	BN4-BJ8	4.00
HYD-052	MASTER CYL CLEVIS PIN	BN4-BJ8	1.75
HYD-052A	SLAVE CYL CLEVIS PIN	BN4-BJ8	1.75
HYD-051	SLAVE CYLINDER PUSH ROD	BN4-BJ8	11.00
HYD-055	SLAVE CYLINDER RUBBER HOSE	BN4-BJ8	15.00
HYD-010	CLUTCH SLAVE CYLINDER METAL LINE	BN4-BJ8	25.00
HYD-009	CLUTCH LINE CLIP	BN1-BJ8	7.00

MISCELLANEOUS



SEAT BELTS

MIS-042	SHOULDER HARNESS ADAPTOR SET	BN4-BJ8	73.00
MIS-040	SHOULDER HARNESS SEAT BELT SET	BN4-BJ8	80.00
MIS-041	LAP BELT SET	BN1-BJ8	50.00
MIS-044	SEAT BELT ANCHOR BOLT PLASTIC CAP	BJ8	2.75
MIS-043	SEAT BELT CAP NUT	BN1-BJ8	1.10

ACCESSORIES

MIS-059	LAMANS BONNET STRAP & CHROME ENDS	BN1-BN2	130.00
MIS-060	ORIGINAL STYLE LUGGAGE RACK	BN4-BJ8	300.00
MIS-009	ASH TRAY	BN1-BJ8	36.00
MIS-014	KEY FOB		8.80
MIS-020	OIL DRIP CATCH PAN		40.00

ID PLATES

MIS-056	CHASSIS ID PLATE (OVAL)		15.00
MIS-057	CHASSIS ID PLATE (RECTANGULAR)		8.60
MIS-058	CHASSIS ID PLATE (OVAL, LATE BJ8)		10.00

CAR COVERS

MIS-061	TAILORED INTERIOR CAR COVER (FLANNEL LINED)		130.00
MIS-061A	TAILORED EXTERIOR CAR COVER		110.00
MIS-063	"TYVEK" CAR COVER		70.00

BADGE BARS

MIS-065A	BADGE BAR WITH FOG LIGHT FIXTURES	BN1-BN2	95.00
MIS-065B	BADGE BAR WITH FOG LIGHT FIXTURES	BN4-BJ8	95.00
MIS-066	BADGE BAR CLIP		5.50
MIS-067	BADGE BAR CLIP MOUNTING PLATE		6.60

LICENSE PLATES MOUNTING BRACKET

MIS-070	FRONT BRACKET (ENGLISH STYLE)		44.00
MIS-070A	FRONT BRACKET		48.00
MIS-071	REAR BRACKET (MOUNT ON SHROUD)		22.00
MIS-071A	REAR BRACKET WITH LICENSE LIGHT HOLDER		78.00

HEATSHIELDS

MIS-037	MANIFOLD HEATSHIELD PLATE	BN1-BN2	20.00
MIS-026	CARB HEATSHIELD	BN4-BJ8	16.50
MIS-022	CARB HEATSHIELD SET	TRICRB	33.00
MIS-021	FLOOR HEATSHIELD	BN4-BJ8	70.00
MIS-034	FLOOR & FIREWALL HEATSHIELD	BN1-BN2	155.00
MIS-027	FLOOR & FIREWALL HEATSHIELD	BN4-BJ8	150.00

DASH: BN1-BJ7

SEE ALSO SWITCHES & COOLING SECTIONS FOR KNOBS ETC.

MIS-005A	UNDER DASH METAL PARCEL TRAY	BN1-BN2	50.00
MIS-005	UNDER DASH METAL PARCEL TRAY	BN4-BJ7	50.00
MIS-008A	DASH GRAB HANDLE	BN1-BJ7	38.00
MIS-008	DASH HANDLE CHROME BACKING PLATE	BN4-BJ7	38.00
MIS-010A	"NORMAL/OVERDRIVE" PLATE	BN1	20.00
MIS-010	"NORMAL/OVERDRIVE" PLATE	BN2-BJ7	20.00
STR-032	CHROME STEERING COLUMN RING	NON-ADJ	24.00
STR-043	CHROME STEERING COLUMN RING	ADJ	24.00

DASH: BJ8

MIS-001	WOOD DASH BOARD SET (PREHUNG DOOR)	BJ8	385.00
MIS-002	RADIO BLANKING PLATE	BJ8	10.00
MIS-002A	RADIO BLANKING PLATE BEZEL	BJ8	9.00
MIS-004	RADIO BLANKING ASSEMBLY	BJ8	32.00
MIS-003A	RADIO SPEAKER SCREEN	BJ8	16.00
MIS-003	RADIO SPEAKER SCREEN BEZEL	BJ8	36.00
MIS-015	GREEN ARROW & SLEEVE	BJ8	32.00
MIS-007	CHROME DASH SWITCHES PANEL	BJ8	42.00
MIS-011	STAINLESS SURROUND FOR GEARSHIFT LEVER		29.00
MIS-013	STAINLESS CONSOLE STRIPS (SET)	BJ8	64.00
MIS-017	CENTER ARM REST METAL FRAME	BJ8	48.00

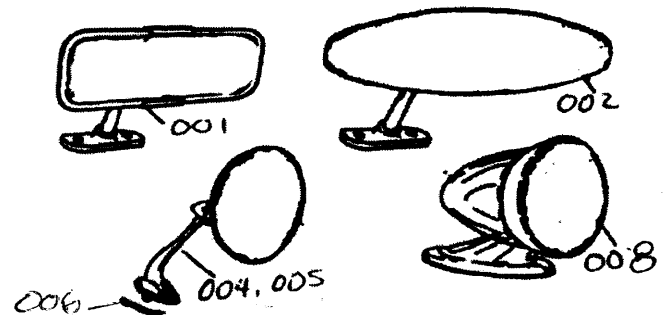
GAUGES

GAU-002	SMALL GAUGE O RING	BN1-BJ8	2.75
GAU-003	LARGE GAUGE O RING	BN1-BJ8	2.75
GAU-004	GAUGE THUMB SCREW (SMALL)	BN1-BJ8	2.50
GAU-005	GAUGE THUMB SCREW (LARGE)	BN1-BJ8	3.50

TURN SIGNAL/HORN

MIS-006	HORN BUTTON FOR ADJ. STEERING		45.00
MIS-016	TURN SIGNAL ASSEMBLY: ADJ. STERING		310.00

MIRROR



MIR-010	DASH MIRROR MOUNTING BRACKET	BN1-BN2	12.00
MIR-001	DASH MIRROR	BN1-BJ8	16.50
MIR-002	DASH MIRROR	BJ8	25.00
MIR-003	DASH MIRROR RISER	BJ8	50.00

SIDE VIEW MIRRORS

MIR-004	LUCAS STYLE FENDER MIR:FLAT GLASS (LH/RH)		15.00
MIR-005	LUCAS STYLE FENDER MIR:CONV GLASS (LH/TH)		15.00
MIR-012	"LUCAS" MIRROR BACK PLATE	BN1-BJ8	12.10
MIR-006	FENDER MIRROR GROMMET	BN1-BJ8	1.10
MIR-007	LUCAS STYLE DOOR MIRROR	BN1-BJ8	30.80
MIR-008	BULLET RACING STYLE MIRROR	BN1-BJ8	44.00
MIR-011	SIDE CURTAIN SOCKET SIDE VIEW MIRROR	BN4-BT7	82.50
MIR-009	"CLIP ON" SIDE VIEW MIRROR	BJ7-BJ8	60.50

RUBBER

RUB-001	BONNET/FENDER BUFFER WITH PIN	BN1-BJ8	1.65
RUB-002	BONNET SEAL	BN4-BJ8	6.00
RUB-025	BONNET RELEASE ROD GROMMET SET	BN1-BJ8	4.40
RUB-003	BONNET OR TRUNK PROP ROD STAY	BN1-BJ8	2.20
RUB-004	BONNET OR TRUNK PROP ROD GROMMET	BN1-BJ8	0.66
RUB-006	TRANS.TUNNEL SPEEDO CABLE GROMMET	BN7-BJ8	2.75
RUB-007	TRANS. TUNNEL RECTANGULAR PLUG	BN1-BJ8	2.75
RUB-008A	3 SPEED GEAR SHIFT BOOT	BN1	13.00
RUB-008	SIDESHIFT GEAR SHIFT BOOT	BN4-BT7	9.00
RUB-009	CENTERSHIFT GEAR SHIFT BOOT	BT7-BJ8	11.00
RUB-014A	WIRING HARNESS GROMMET	BN1-BN2	6.60
RUB-014	WIRING HARNESS GROMMET	BN4-BJ8	3.00
RUB-015	STEERING COLUMN GROMMET	BN1-BJ8	2.50
RUB-016	WATER TEMP LINE GROMMET	BN1-BJ8	2.00
RUB-013	GROMMET ASSORTMENT	BN1-BJ8	18.00
RUB-026	MAJOR FIREWALL GROMMET SET (includes RUB-013,014,015 &016)	BN1-BJ8	22.00
MIS-039	SCUTTLE SEAL TO BODY BRACKET (PAIR)	BN2	44.00
RUB-029	SCUTTLE SEAL (PAIR)	BN2	49.50
RUB-012	SCUTTLE SEAL (PAIR)	BN4-BT7	44.00
RUB-012A	SCUTTLE SEAL RIVET	BN4-BT7	0.83
RUB-011	GAS FILLER TUBE TO BODY GROMMET	BN4-BJ8	8.00
RUB-018	GAS FILLER TUBE TO TANK CONNECTOR	BN4-BJ8	14.00
RUB-030	PEDAL FOAM PAD SET	BN1-BN2	23.00
RUB-017	SPLASH PAN WELTING	BN1-BN2	4.40
RUB-019	REFLECTOR POD PAD	BN1-BN2	5.50
RUB-021	DIP STICK BOOT	BN1-BN2	3.30
RUB-020	STARTER SOLENOID BUTTON BOOT	BN1-BJ8	6.00
RUB-023	STARTER SOLENOID WIRE BOOT	BN1-BJ8	2.75
RUB-022	BREATHER PIPE ELBOW	BN4-BJ8	8.50
RUB-010	AH LOGO RUBBER FLOOR MAT	BN1-BJ8	30.00
RUB-005	PEDAL PAD	BN1-BJ8	3.30

STEERING

STEERING WHEELS

STR-001D	WOOD WHEEL (DARRINGTON STYLE)	BN1-BJ8	370.00
STR-001A	WOOD WHEEL (RALLY STYLE)	BN1-BJ8	320.00
STR-001	WOOD WHEEL (ORIGINAL MOTO LITA)	BN1-BJ8	320.00
<i>COPIES OF STR-001A & STR-001 ALSO AVAILABLE</i>			
STR-002	NON-ADJ HUB ADAPTOR	BN1-BJ8	200.00
STR-003	ADJUSTABLE HUB ADAPTOR		110.00
STR-001C	ORIGINAL NON-ADJUSTABLE STEERING WHEEL		145.00
STR-001B	ORIGINAL ADJUSTABLE STEERING WHEEL		250.00

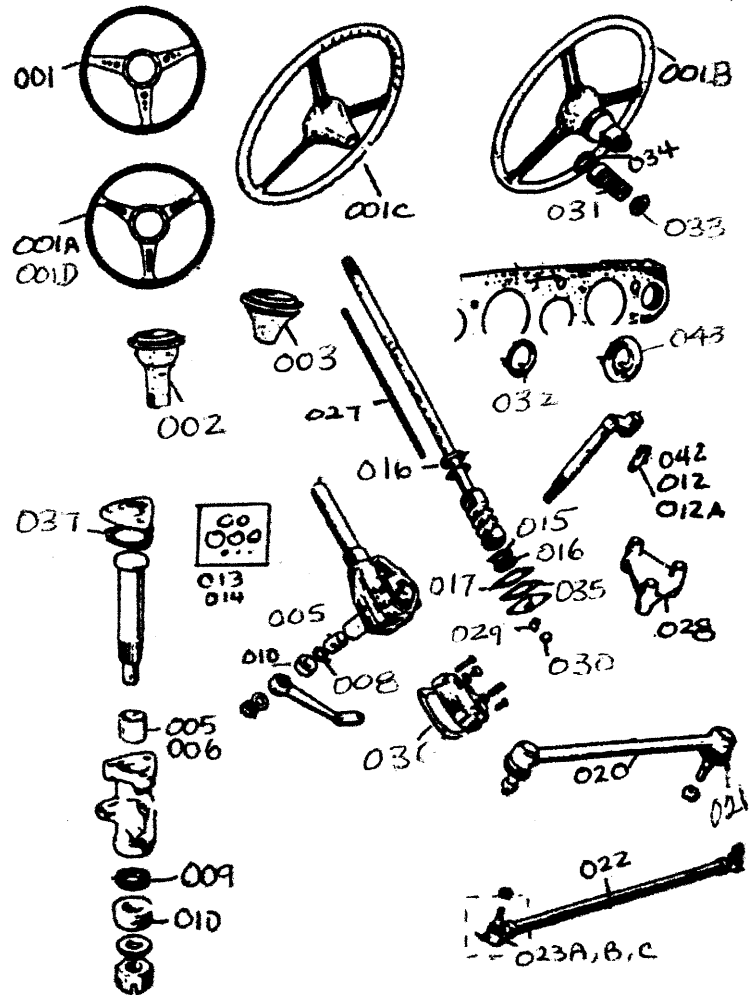
MIS-077	BLACK LEATHER STEER WHL COVER		45.00
STR-004	STEERING WHEEL NUT	NON-ADJ	10.00

STEERING COLUMN

STR-032	DASH CHROME RING: STEER COLUMN	NON-ADJ.	24.00
STR-043	DASH CHROME RING: STEER COLUMN	ADJ.	22.00
STR-031	CHROME COIL SPRING: STEERING COLUMN		26.00
STR-034	UPPER SUPPORT FOR CHROME COIL SPRING		16.00
STR-033	LOWER SUPPORT FOR CHROME COIL SPRNG		12.00
STR-027	STATOR TUBE	ADJ.	50.00
STR-030	STATOR TUBE NUT	BN1-BJ8	5.00
STR-029	STATOR TUBE OLIVE	BN1-BJ8	2.20

*UP TO BN2 230997 ** UP TO BN2 2289931 ***BJ7 19191 ONWARDS

STEERING



CENTER & SIDE ROD

STR-020	SIDE ROD WITH ENDS	BN1-BJ8	65.00
STR-022	CENTER ROD WITH ENDS	BN1-BJ8	80.00
STR-023A	CENTER ROD ENDS:MALE (PAIR)	BN1-BN2**	44.00
STR-023B	CENTER ROD ENDS:MALE (PAIR)	BN2-BJ7	40.00
STR-023C	CENTER ROD ENDS:FEMALE (PAIR)	BJ7-BJ8***	40.00
STR-021	CENTER/SIDE ROD BOOT	BN1-BJ8	3.30
STR-024	CENTER ROD NUT (LH)	BN1-BJ7	3.30
STR-024A	CENTER ROD NUT (LH)	BJ8	3.30

STEERING & IDLER BOX

STR-028	STEERING/IDLER BOX SPACER BRACKET		40.00
STR-006	IDLER BOX BUSH	BN1-BN2*	5.00
STR-005	STEERING AND IDLER BOX BUSH	BN2-BJ8	12.00
STR-007	STEERING AND IDLER BOX SEAL	BN1-BN2*	4.40
STR-008	STEERING BOX SEAL	BN2-BJ8	6.00
STR-009	IDLER BOX SEAL	BN2-BJ8	5.00
STR-010	STEERING AND IDLER BOX DUST SEAL	BN2-BJ8	4.50
STR-017	STEERING BOX END SHIM	BN4-BJ8	2.20
STR-035	STEERING BOX END GASKET	BN4-BJ8	1.10
STR-036	STEERING BOX TOP GASKET	BN7-BJ8	1.75
STR-037	IDLER BOX GASKET	BN1-BJ8	1.00
STR-042	STEERING BOX PEG	BN1-BN2*	72.00
STR-012A	STEERING BOX PEG	BN2-BN4	90.00
STR-012	STEERING BOX PEG	BN4-BJ8	105.00
STR-013	STEERING COLUMN BEARING SET	BN1-BN2*	8.80
STR-014	STEERING PEG BEARING SET	BN1-BN2*	8.80
STR-015	STEERING BOX CAGED BEARING	BN2-BJ8	23.00
STR-016	STEERING BOX CAGED BEARING CUP	BN2-BJ8	28.00

SUSPENSION

FRONT SUSPENSION

SUS-002	FRONT END (KING PIN) KIT (BOTH SIDES)	BN1-BJ8	160.00
SUS-059	CORK O RING	BN1-BJ8	0.83
SUS-060	KINGPIN DUST COVER RUBBER O RING	BN1-BJ8	1.10
SUS-015	KINGPIN BUSH (UPPER) PHOS.BRONZE	BN1-BJ8	8.00
SUS-016	KINGPIN BUSH (LOWER) PHOS.BRONZE	BN1-BJ8	12.00
SUS-013	FULCRUM PIN COTTER	BN1-BJ8	2.20
SUS-014	WISHBONE COTTER	BN1-BJ8	2.75

SUS-020	WISHBONE BUSH	BN1-BJ8	3.30
SUS-021	WISHBONE BOLT & WASHER ASSEMBLY	BN1-BJ8	19.00
SUS-070	FRONT WISHBONE MOUNT (LH/RH)	BN1-BN2	55.00
SUS-071	FRONT WISHBONE MOUNT (LH/RH)	BN4-BJ8	60.50
SUS-072	REAR WISHBONE MOUNT (LH/RH)	BN1-BJ8	60.50

COIL SPRINGS

SUS-053	FRONT COIL SPRING	BN1-BJ8	60.00
SUS-053B	FRONT COIL SPRING	BJ8 **	55.00
SUS-054	FRONT COIL SPRING BUMP	BN1-BJ8	8.00

FRONT SHOCKS

SUS-050R	FRONT SHOCK (SEND CORE FOR REB)	BN1-BJ8	90.00
SUS-050	FRONT SHOCK (MINOR MODIF. REQ.)	BN1-BJ8	295.00
SUS-051	FRONT SHOCK MOUNTING PLATE (LH/RH)	BN1-BJ8	55.00
SUS-052	FRONT SHOCK REBOUND BUSH	BN1-BJ8	3.00
SUS-011	UPPER TRUNION BOLT	BN1-BJ8	5.00
SUS-012	UPPER TRUNION BUSH	BN1-BJ8	1.75

SWAY BAR

SUS-008	ANTISWAY BAR	BN4-BJ8	150.00
SUS-009	ANTISWAY BAR END LINK PLATE (LH/RH)	BN1-BJ8	16.00
SUS-006	ANTISWAY BAR END LINK	BN1-BJ8	10.00
SUS-007	ANTISWAY BAR END LINK BUSH	BN1-BJ8	1.00
SUS-005A	ANTISWAY BAR BUSH	BN1-BN2	3.50
SUS-005	ANTISWAY BAR BUSH	BN4-BJ8	2.50
SUS-004	ANTISWAY BAR BRACKET	BN1-BJ8	2.00
BDY-022	ANTISWAY BAR BRKT MOUNTING PLATE	BN1-BJ8	12.00

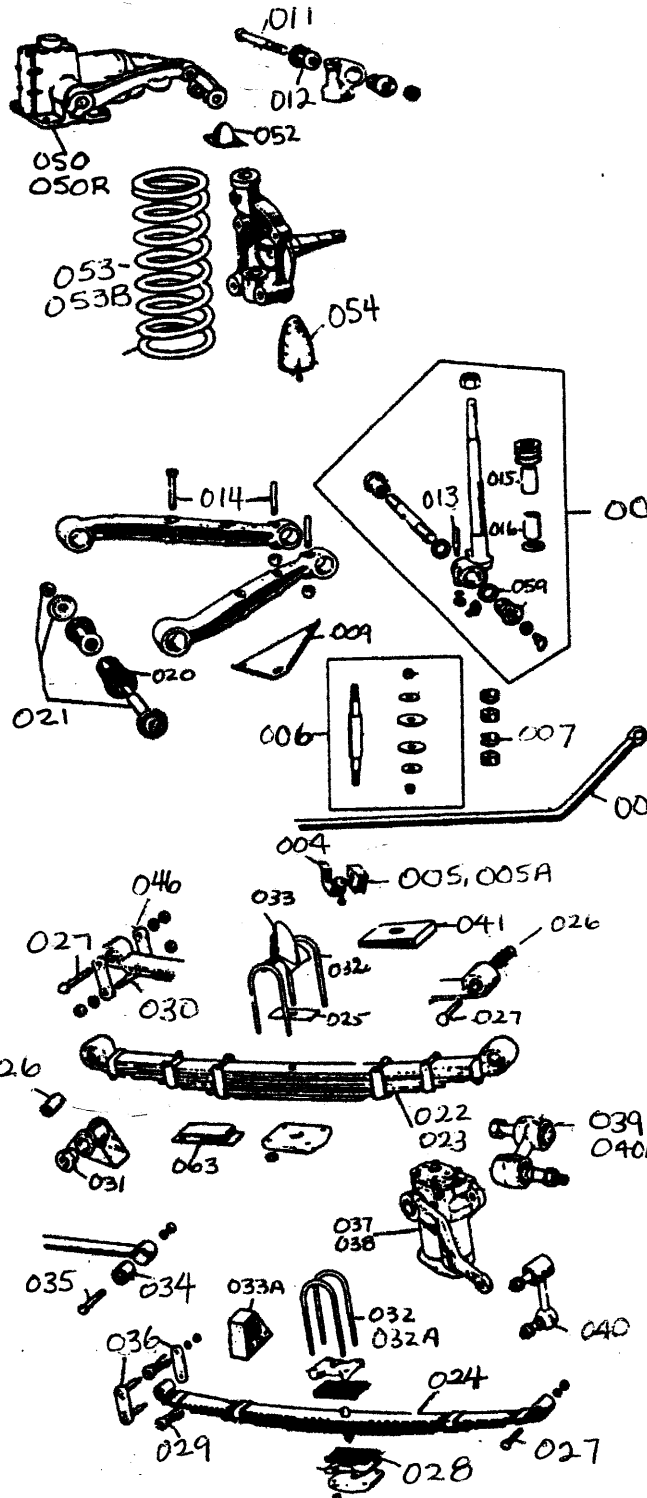
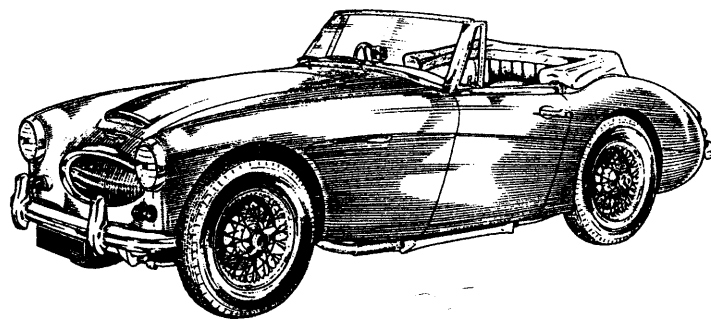
REAR SUSPENSION

SUS-037	REAR SHOCK (LH/RH)	BN1-BJ8	178.00
SUS-037R	REAR SHOCK (LH/RH)	BN1-BJ8	93.00
SUS-038	REAR SHOCK (LH/RH)	BJ8**	185.00
SUS-038R	REAR SHOCK (LH/RH)	BJ8**	93.00
SUS-039	REAR SHOCK LINK ARM	BN1*	50.00
SUS-040A	REAR SHOCK LINK ARM	BN1-BJ8	44.00
SUS-040	REAR SHOCK LINK ARM	BJ8**	36.00
SUS-042	REAR SHOCK MOUNTING BRACKET	BJ8**	30.00
SUS-056	REAR SHOCK MOUNTING PLATE	BN1-BN2	50.00
SUS-057	REAR SHOCK MOUNTING PLATE	BN4-BJ8	50.00
SUS-058	REAR SHOCK MOUNTING PLATE	BJ8**	52.00

SUS-064	REAR AXLE BREATHER	BN1-BJ8	4.40
SUS-063	REAR AXLE REBOUND PAD	BN1-BJ8	7.50
SUS-033	REAR AXLE BUMP	BN1-BJ8	20.00
SUS-033A	REAR AXLE BUMP	BJ8**	14.00
SUS-034	RADIUS ARM BUSH	BJ8**	20.00
SUS-035	RADIUS ARM BOLT	BJ8**	2.75

LEAF SPRINGS

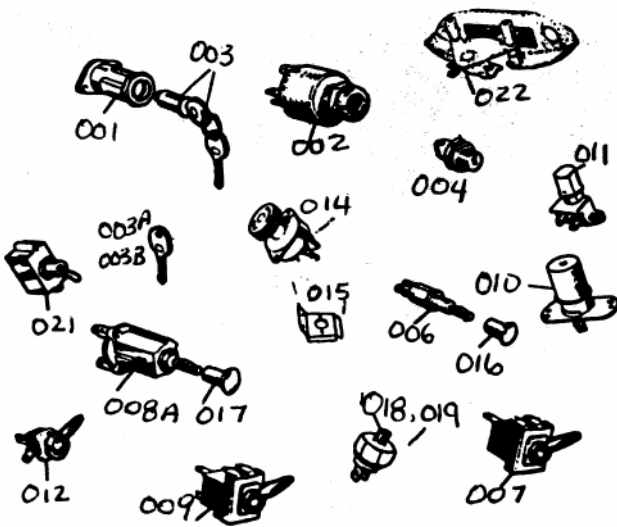
SUS-022	LEAF SPRING (PAIR)	BN1-BN2	280.00
SUS-023	LEAF SPRING (PAIR)	BN4-BJ8	280.00
SUS-024	LEAF SPRING (PAIR)	BJ8**	260.00
SUS-041	LEAF SPRING WEDGE	BN1*	18.00
SUS-061	LEAF SPRING GREASE FITTING	BN1-BJ8	4.40
SUS-026	LEAF SPRING BUSH	BN1-BJ8	9.00
SUS-027	LEAF SPRING BOLT	BN1-BJ8	5.75
SUS-031	LEAF SPR SHACKLE BUSH FOR CHASSIS	BN1-BJ7	7.70
SUS-030	LEAF SPRING SHACKLE BOLT	BN1-BJ8	6.60
SUS-046	LEAF SPRING SHAKLE PLATE (IN/OUT)		18.00
SUS-036	LEAF SPRING SHACKLE	BJ8**	44.00
SUS-029	LEAF SPRING SHACKLE BUSH	BJ8**	1.10
SUS-028	LEAF SPRING RUBBER PAD	BJ8	1.75
SUS-025	LEAF SPRING FIBER PACKING	BN1-BJ8	6.75
SUS-032A	LEAF SPRING U BOLT	BN1-BJ7	5.50
SUS-032	LEAF SPRING U BOLT	BJ8**	6.50



*UP TO BN1 221535

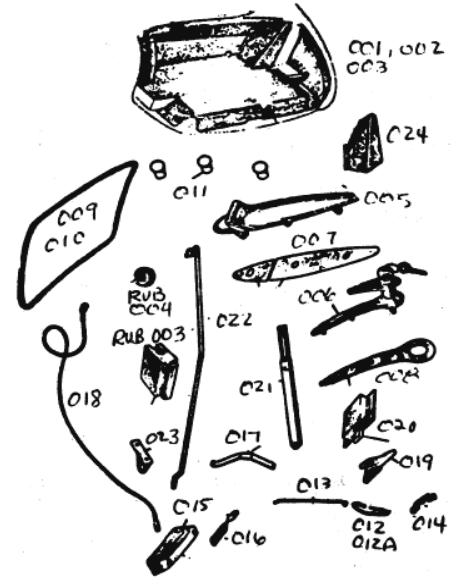
**BJ8 26705 ONWARD

SWITCHES



SWT-001	IGNITION SWITCH	BN1-BJ7	35.00
SWT-002	IGNITION SWITCH	BJ8	25.00
SWT-003	IGNITION SWITCH KEY & BARRELL	BN1-BJ8	14.00
SWT-003B	IGNITION KEY BLANK "FP" SERIES		3.85
SWT-003A	IGNITION KEY BLANK "FS" SERIES		3.85
SWT-004	STARTER BUTTON	BN1-BJ7	30.00
SWT-016	WIPER KNOB	BN1-BJ7	6.00
SWT-006	WIPER SWITCH	BN1-BJ7	28.60
SWT-007	WIPER SWITCH	BJ8	38.00
SWT-017	HEADLIGHT DASH KNOB	BN1-BJ7	6.00
SWT-008A	HEADLIGHT DASH SWITCH	BN1-BJ7	33.00
SWT-009	HEADLIGHT DASH SWITCH	BJ8	50.00
SWT-010	HEADLIGHT DIP SWITCH	BN1-BJ7	44.00
SWT-011	HEADLIGHT DIP SWITCH	BJ8	45.00
SWT-013A	HEADLIGHT DIP SWITCH MOUNTING BRKT	BN4-BJ7	16.00
SWT-013	HEADLIGHT DIP SWITCH MOUNTING BRKT	BJ8	15.00
SWT-021	OVERDRIVE DASH SWITCH	BN1-BJ7	19.00
SWT-012	OVERDRIVE AND DASH SWITCH	BJ8	15.00
SWT-014	BATTERY CUT OFF SWITCH	BN1-BJ8	85.00
SWT-015	BATTERY CUT OFF SWITCH MOUNT BRKT	4-SEATER	15.00
SWT-018	BRAKE LIGHT SWITCH	BN1-BJ7	11.00
SWT-019	BRAKE LIGHT SWITCH	BJ8	16.50
SWT-022	HEATER SWITCH	BN4-BJ8	36.80

TRUNK



SEE PAGE 4 FOR TRUNK LID PROP ROD MECHANISM

TRK-018	TRUNK LID LIMITER CABLE	BN4-BJ8	25.00
TRK-021	TRUNK LID STAY	BN1-BN2	25.00
TRK-005	TRUNK HINGE (LH/RH)	BN1-BJ8	33.00
TRK-007	TRUNK HINGE GASKET	BN1-BJ8	2.20
TRK-006	TRUNK HANDLE WITH KEY	BN1-BJ8	59.00
TRK-008	TRUNK HANDLE GASKET	BN1-BJ8	2.50
TRK-025	TRUNK HANDLE CUP WASHER	BN1-BJ8	4.85
TRK-020	TRUNK LOCK	BN1-BJ8	48.00
TRK-011	TRUNK BUFFER	BN1-BJ8	0.88
TRK-009	TRUNK SEAL	BN1-BN2	20.00
TRK-010	TRUNK SEAL	BN4-BJ8	18.00
TRK-012	SPARE WHEEL STRAP	BN1-BJ8	40.00
TRK-012A	SPARE WHEEL STRAP	BN6-BN7	89.00
TRK-014	SPARE WHEEL STRAP CHROME BRACKET	BN1-BJ8	10.00
TRK-017	SPARE WHEEL HOLD DOWN BAR	BN1-BN2	25.00
TRK-013	SPARE WHEEL HOLD DOWN BAR	4-SEATER	25.00
TRK-015	SPARE WHL HOLD DOWN BAR WOOD BLCK	4-SEATER	22.00
TRK-016	SPARE WHEEL HOLD DOWN BAR BRACKET	4-SEATER	12.00
TRK-001	TRUNK LINING KIT	BN1-BN2	225.00
TRK-003	TRUNK LINING KIT	2-SEATER	325.00
TRK-002	TRUNK LINING KIT	BN4-BJ8	165.00
TRK-024	GAS FILLER PIPE COVER	BN4-BJ8	4.95

TRANSMISSION & OVERDRIVE

SYNCHRONIZERS (BAULK RINGS)

TRN-010	BAULK RING	BN1	100.00
TRN-001	2ND GEAR BRASS SYNCHRO	BN2-BJ7	44.00
TRN-001A	BETTER QUALITY BAULK RING	BN2-BJ7	80.00
TRN-002	3 RD -4 TH GEAR BRASS SYNCHRO	BN2-BJ7	50.00
TRN-002A	BETTER QUALITY BAULK RING	BN2-BJ7	80.00
TRN-003	2 ND GEAR STEEL SYNCHRO	BJ8	85.00
TRN-004	3-4 TH GEAR STEEL SYNCHRO	BJ8	95.00

LAYSHAFTS

TRN-058	LAYSHAFT	BN1	160.00
TRN-005	LAYSHAFT	BN2-BJ7	70.00
TRN-006	LAYSHAFT	BJ8	70.00

GEARS

TRN-008	FIRST GEAR OUTER HUB	BN2-BJ8	260.00
TRN-007	REVERSE GEAR	BN4-BJ8	120.00
RECONDITIONED LAYGEARS ARE AVAILABLE			330.00
TRN-009	LAYGEAR THRUST WASHER (.080;.084;.090)	SDSHFT	22.00

BEARINGS

TRN-012	NEEDLE ROLLER BEARING:LAYGEAR	BN2-BJ7	0.83
TRN-013	NEEDLE ROLLR BEAR:FIRST MOTIONSHT	BN2-BJ7	1.00
TRN-014	NEEDLE ROLLR BEAR:2RD & 3RD GEAR	BN2-BJ8	0.66
TRN-015	CAGED BEARING:LAYGEAR	BJ8	18.00
TRN-021	MAINSHAFT BEARING	BN1	42.00
TRN-022	MAINSHAFT BEARING	BN2-BJ8	37.00
TRN-022	FIRST MOTION SHAFT BEARING	BN1	37.00
TRN-023	FIRST MOTION SHAFT BEARING	BN2-BJ8	33.00

GASKETS & SEALS

TRN-029A	3 SPEED GEARBOX & OD GASKET SET	BN1	17.00
TRN-029	SIDESHIFT GEARBOX & OD GASKET SET	BN2-BT7	15.00
TRN-030	CENTERSHIFT GEARBOX & OD GASKET SET	BT7-BJ8	15.00
TRN-031	BELLEOUSING SEAL	BN2-BJ8	6.00
TRN-031A	INTERLOCK SEAL	BN1	12.00
TRN-059	SELECTOR SHAFT SEAL	CNTRSHFT	10.00

TRANSMISSION & OVERDRIVE (CON'T)

GEAR SHIFT & KNOBS

TRN-043	SHIFT LEVER SPRING	CNTRSHFT	11.00
TRN-044	SHIFT LEVER SPRING CIRCLIP	CNTRSHFT	8.00
TRN-051	SHIFT LEVER SPRING WASHER	CNTRSHFT	7.70
TRN-072	SHIFT LEVER PACKING (THICK)	SDSHFT	12.00
TRN-073	SHIFT LEVER RUBBER WASHR (THIN)	SDSHFT	12.00
TRN-074	SHIFT LEVER PLATE	SDSHFT	28.20

TRN-052A	SHIFT LEVER BRASS BUSH	BN1-BJ7	20.00
TRN-052	SHIFT LEVER NYLON BUSH	BJ8	4.00

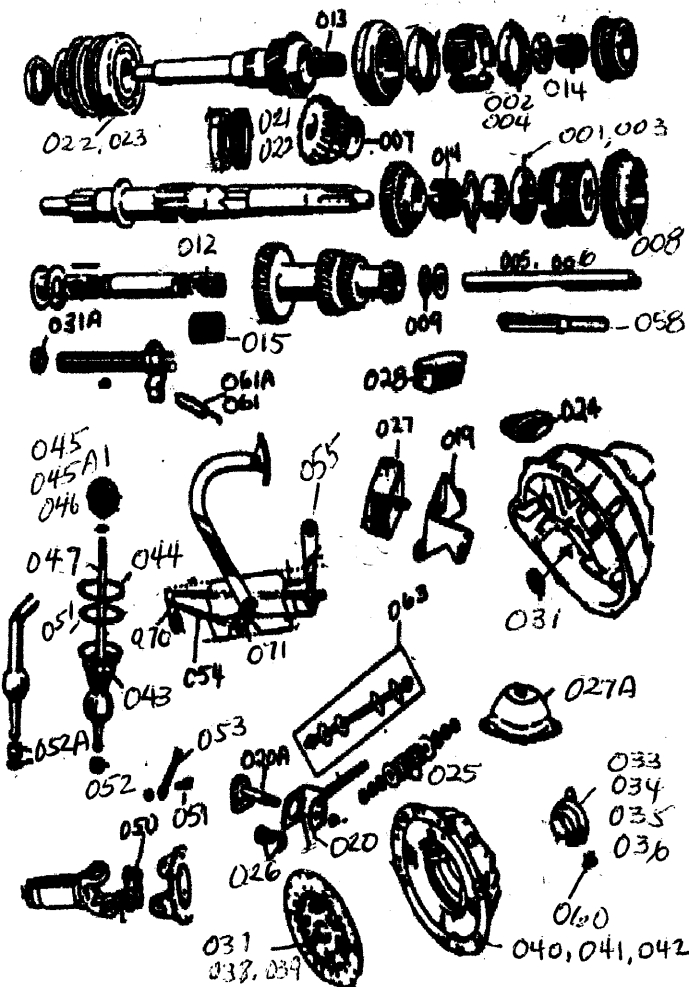
TRN-045A	SHIFT KNOB (ORIG. STYLE)	BN1	50.00
TRN-045	SHIFT KNOB (ORIG. STYLE)	BN2-BJ8	10.00
TRN-046	SHIFT KNOB (WOOD WITH EMBLEM)	BN2-BJ8	25.00

TRN-063	CHASSIS TIE BAR	BN1	15.00
TRN-020	CHASSIS TIE BAR	BN2-BJ8	30.50
TRN-020A	CHASSIS TIE BAR PIN	BN2-BJ8	28.00
TRN-025	CHASSIS TIE BAR BUSH	BN1-BJ8	1.25
TRN-026	GEARBOX TIE BAR BUSH	BN2-BJ8	1.50
TRN-019	TRANSMISSION MOUNT BRACKET (LH/RH)	BN2-BJ8	25.00
TRN-027A	TRANSMISSION MOUNT & BOLT	BN1	20.00
TRN-027	TRANSMISSION (REAR ENGINE) MOUNT	BN2-BJ8	5.00
TRN-028	TRANSMISSION BUFFER	BN2-BJ8	7.65

MISCELLANEOUS

TRN-049AR	RIGHT ANGLE DRIVE:SPEEDO CABLE	BN1-BN2	90.00
TRN-049	RIGHT ANGLE DRIVE:SPEEDO CABLE	BN4-BJ8	55.00
ENG-138	SPEEDOMETER SEAL	BN1-BJ8	13.00

TRN-050	UNIVERSAL JOINT W/ GREASE FITTINGS	BN1-BJ8	23.00
TRN-053	PROP SHAFT TAB WASHER	BN1-BJ8	2.50
TRN-056	PROP SHAFT-DIFFERENTIAL BOLT	BN4-BJ8	1.10
TRN-057	PROP SHAFT-OVERDRIVE BOLT	BN4-BJ8	7.00



CLUTCH LINKAGES: 100

TRN-070	CLUTCH CON.ROD LEVER (1 HOLE)	BN1-BN2	30.00
TRN-071	CLUTCH RELAY LEVER (2 HOLES)	BN1-BN2	45.00
TRN-054	CLUTCH LINKAGE ROD SET	BN1-BN2	50.00
TRN-055	CLUTCH LINKAGE LEVER BRACKET	BN1-BN2	45.00
TRN-064	CLUTCH RETURN SPRING BRACKET	BN1-BN2	5.50
TRN-065	CLUTCH SHAFT WASHER	BN1-BN2	8.00
TRN-061	CLUTCH PEDAL RETURN SPRING	BN1-BN2	5.00
TRN-061A	CLUTCH PEDAL RETURN SPRING	BN4-BJ8	6.00
TRN-066	CLUTCH CROSS SHAFT	BN2	150.00

RELEASE BEARINGS, DISCS & PRESSURE PLATES

TRN-024	CLUTCH RELEASE FORK RUBBER BOOT	BN4-BJ8	8.00
TRN-062	CLUTCH RELEASE FORK BUSH	BN4-BJ8	2.50
TRN-033	CLUTCH RELEASE BEARING	BN1	48.00
TRN-034	CLUTCH RELEASE BEARING	BN2-BN6	70.00
TRN-035	CLUTCH RELEASE BEARING	BN7-BJ7	33.00
TRN-036	CLUTCH RELEASE BEARING	BJ8	70.00
TRN-060	CLUTCH RELEASE BEARING CLIP	BN1-BJ8	1.10
TRN-037	CLUTCH DISC	BN1	200.00
TRN-038	CLUTCH DISC	BN2-BN6	85.00
TRN-039	CLUTCH DISC	BN7-BJ7	100.00
TRN-038A	CLUTCH DISC	BJ8	100.00

TRN-040	CLUTCH PRESSURE PLATE	BN1-BN6	175.00
TRN-041	CLUTCH PRESSURE PLATE	BN7-BJ7	190.00
TRN-042	CLUTCH PRESSURE PLATE	BJ8	145.00
TRN-047	DOWELL PIN FOR CLUTCH		2.50
TRN-032	PILOT (SPIGOT) BUSH	BN1-BJ8	5.50

OVERDRIVE

OVD-001	OVERDRIVE SEAL	BN1-BJ8	6.00
OVD-013	OIL PUMP PLUNGER & ROLLER	BN1-BJ8	104.50
OVD-023R	SLIDING CLUTCH MEMBR (CONE CLUTCH)	BN1-BJ8	220.00
OVD-025	OVERDRIVE SUMP MAGNET	BN1-BJ8	5.50
OVD-024A	OVERDRIVE SUMP FIBER WASHER	BN1-BJ8	2.20
OVD-002	CHECK BALL	BN1-BJ8	1.00

BEARINGS

OVD-003	FRONT BALL RACE (BRARING)	BN1-BJ8	28.00
OVD-004	REAR BALL RACE (BEARING)	BN1-BJ8	14.00
OVD-005	THRUST BALL RACE (BEARING)	BN1-BJ8	65.00

THRUST WASHERS

OVD-006	UNIDIRECTIONAL CLUTCH	BN1-BJ8	160.00
OVD-007	UNIDIRECTNAL CLUTCH THRUST WASHER	BN1-BJ8	20.00
OVD-008	SUNWHEEL FRONT THRUST WASHER	BN1-BJ8	16.50
OVD-009	SUNWHEEL REAR THRUST WASHER	BN1-BJ8	18.00

ACCUMULATOR HOUSING

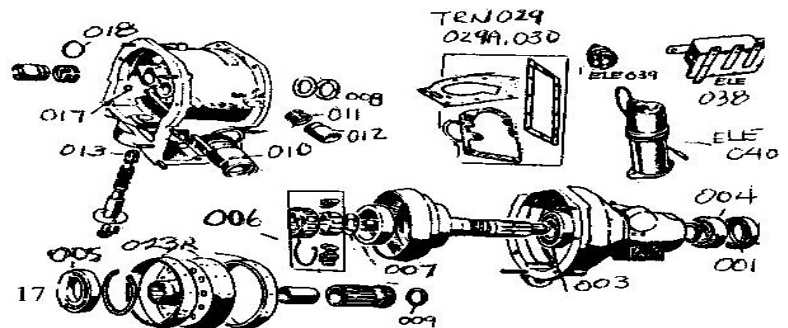
OVD-010	ACCUMULATOR HOUSING	BN1-BJ8	85.00
OVD-011	ACCUMULATOR PISTON RING SET	BN1-BJ8	85.00
OVD-012	ACCUMULATOR PISTON	BN1-BJ8	75.00

O RINGS

OVD-017	SOLENOID OPERAT. LEVER O RING	BN1-BJ8	1.10
OVD-018	OPER. PISTON O RING	BN1-BJ8	1.10
OVD-019	ACCUMULATOR O RING	BN1-BJ8	1.65
OVD-020	SPEEDO DRIVE O RING	BN1-BJ8	1.10

OVERDRIVE ELECTRIC

ELE-037	OVERDRIVE THROTTLE RELAY	BN1-BJ8	100.00
ELE-037A	THROTTLE RELAY LINKAGE ROD	BN4-BJ8	17.00
ELE-038	OVERDRIVE RELAY	BN1-BJ8	50.00
ELE-039A	OVERDRIVE INHIBITOR SWITCH	BN1-BN6	25.00
ELE-039	OVERDRIVE INHIBITOR SWITCH	BN7-BJ8	12.00
ELE-040	OVERDRIVE SOLENOID	BN1-BJ8	75.00



TOP & TONNEAU

TRIM & GRILLS

Tops & tonneaus are stocked in black only.
If you wish to order any other color, please allow 4-6 weeks.
There is also a 5% surcharge for red, blue, tan & white ones.

TONNEAU

TON-001	TONNEAU	BN1-BN2	250.00
TON-002	TONNEAU	BN6,BN7	325.00
TON-003	TONNEAU	BN4,BT7	325.00
TON-004	TONNEAU	BJ7- BJ8	375.00
TON-009	TONNEAU STIFFENER SET	BN4-BT7	55.00
TON-007	TONNEAU BAR LOCATING PEG SET	LNGBRIDGE	16.00
TON-005	TONNEAU BAR (44")	LNGBRIDGE	55.00
TON-008	TONNEAU BAR (46")	BN4,BT7	55.00
TON-006	TONNEAU BAR	BJ7-BJ8	44.00
TON-010	TONNEAU BAR BAG	BJ7-BJ8	45.00

TOP

TOP-001	TOP	BN1-BN2	415.00
TOP-002	TOP	BN6,BN7	415.00
TOP-003A	TOP	LNGBRIDGE	415.00
TOP-003	TOP	BN4,BT7	390.00
TOP-004	TOP	BJ7-BJ8	390.00
TOP-005A	TOP BOOT	BJ7	275.00
TOP-005	TOP BOOT	BJ8	275.00
TOP-024	TOP WEBBING	BJ7-BJ8	10.00
TOP-035	TOP WEBBING CLAMP	BJ7-BJ8	3.30
TOP-009	TOP FRAME-WINDSHIELD SEAL	BN1-BT7	15.40
TOP-010	TOP FRAME-WINDSHIELD SEAL	BJ7-BJ8	20.00
TOP-018	TOP WINDLACING (PER YARD)	BJ7-BJ8	18.00
TOP-025	TOP WINDLACING END CAP	BJ7-BJ8	2.75
TOP-015	CLIP FOR TOP TACKING RAIL	BJ7-BJ8	0.38

TOP-006A	WOOD BOW	BN1-BN2	29.00
TOP-006	WOOD BOW	BN4-BT7	120.00
TOP-007	WOOD BOW	BJ7-BJ8	135.00
TOP-008A	ALUMINUM BOW	BN6,BN7	100.00
TOP-008	ALUMINUM BOW	BN4,BT7	100.00

TOP-011	TOP LATCHES (PAIR)	BN1-BT7	66.00
TOP-036	TOP LATCHES (PAIR)	BN6,BN7	135.00
TOP-031	TOP LATCHES (PAIR)	BJ7-BJ8	95.00
TOP-012A	TOP LATCHES STUD CURVED WSHR	BN1-BN2	3.00
TOP-012	TOP LATCHES STUD	BN1-BN2	13.50
TOP-013	TOP LATCHES STUD	BN4-BT7	13.50
TOP-038	TOP LATCHES WINDSHIELD HOOKS (PR)	BJ7-BJ8	77.00

TOP-014	TOP HOLD DOWN BAR CHROME RETAINER 2 SEATR		8.00
TOP-020	TOP HOLD DOWN BAR:REAR SHROUD	BN1-BN2	35.00
TOP-021	TOP HOLD DOWN BAR:REAR SHROUD	BN6,BN7	35.00

TOP-023	TOP FRAME CHROME TRIANGULAR	BN1-BN2	18.00
TOP-037	TOP FRAME BOX (LH/RH)	LONBGE	70.00
TOP-017	TOP FRAME SLIDING TRACK	LONGBRIDGE	27.50
TOP-040	TOP FRAME HOOK BRACKET	LONGBRIDGE	20.00
TOP-032	TOP FRAME SOCKET FINISHER CAP	BN6,BN7	18.00
TOP-028	TOP FRAME FLOOR BOX SET	BN6,BN7	60.00
TOP-029	TOP FRAME STRAP SET	BN6,BN7	24.00

TOP-030	TOP FRAME REAR FINISHING BAR	BJ7-BJ8	40.00
TOP-027	TOP FRAME WINDOW WOOD SET	BJ7-BJ8	200.00
TOP-039	TOP FRAME ALUMINUM BRACKET SET	BJ7-BJ8	115.00
TOP-019	TOP FRAME SPRING & ARMACORD BOOT	BJ7-BJ8	19.00
TOP-033	TOP FRAME BUFFER & BRKT (LH/RH)	BJ7-BJ8	24.00

TOP-034	TOP TACKING RAIL	BJ7-BJ8	66.00
TOP-026	TOP DRAINAGE CHANNEL	BJ7-BJ8	450.00

EMBLEMS

TRM-001	FRONT SHROUD EMBLEM	BN1-BT7	55.00
TRM-001A	MK II FT SHROUD EMB (ENAMEL)	BJ7	250.00
TRM-002	MK III FT SHROUD EMB (PAINTED)	BJ8	85.00
TRM-002A	MK III FT SHROUD EMB (ENAMEL)	BJ8	250.00

TRM-030	AUSTIN OF ENGLAND	BN1	27.00
TRM-003	AUSTIN HEALEY SCRIPT	BN1-BJ8	15.00
TRM-004	100 FLASH	BN1-BN2	20.00
TRM-005	100-6 FLASH	BN4-BN6	20.00
TRM-006	3000 FLASH	BT7-BJ8	24.00

GRILL

TRM-022	GRILL ASSEMBLY	BN1-BN2	875.00
TRM-023	GRILL CLAW WASHER	BN1-BN2	6.00

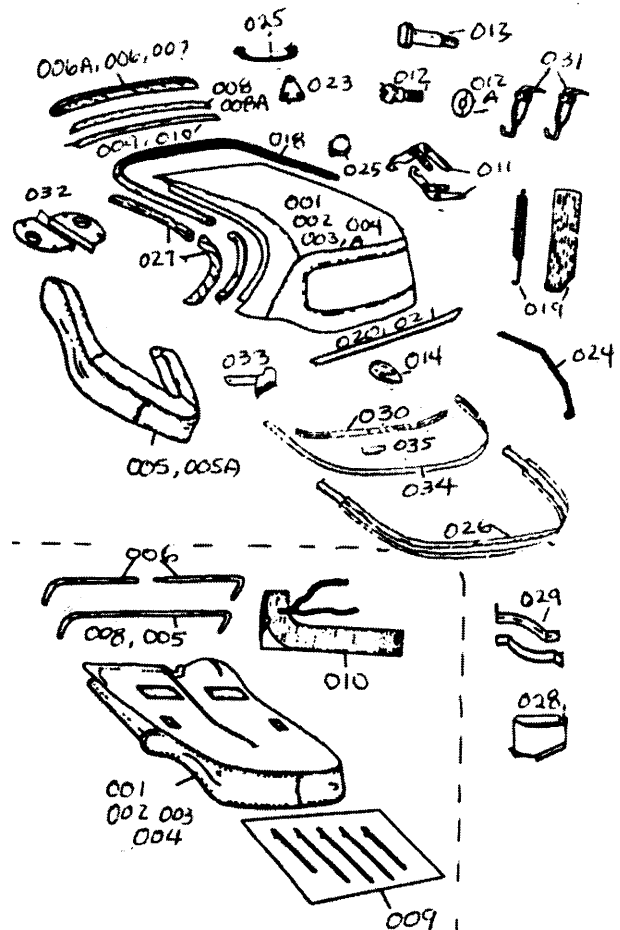
TRM-007	HORIZONTAL GRILL TOP SECT	BN4-BT7	290.00
TRM-015	HORIZONTAL GRILL SLAT SECT	BN4-BT7	380.00
TRM-013	HORIZONTAL GRILL LOWER SECT	BN4-BT7	40.00

TRM-008	VERTICAL GRILL TOP SECT	BN7-BJ8	275.00
TRM-009	VERTICAL GRILL SURROUND	BN7-BJ8	825.00
TRM-011	VERTICAL GRILL SLAT SECT	BN7-BJ8	200.00

TRM-014	BONNET (HOOD) GRILL TOP SECT	BN4-BJ8	65.00
TRM-017	BONNET GRILL LOWER SECTION	HORIZ	60.00
TRM-018	BONNET GRILL LOWER SECTION	VERTI.	60.00

MISCELLANEOUS

TRM-020	COCKPIT TRIM CENTER BLOCK	BN4-BT7	7.00
TRM-021	COCKPIT TRIM TAPPED BLOCK	BN4-BT7	3.50



UPHOLSTERY

With the exception of BJ8 kits, all others are custom made to order. Allow 4-6 weeks for delivery. Please specify color, contrasting piping (if desired).

DASH

UPH-004A	DASH TOP SECTION (BLACK)	BN4-BT7	220.00
UPH-004	DASH TOP SECTION (BLACK)	BJ7-BJ B	230.00
UPH-044	DASH FOAM SET	BN4-BJ8	27.50
UPH-033	DASH TOP WOOD SECTION ONLY	BN4-BT7	95.00
UPH-034	DASH TOP WOOD SECTION ONLY	BJ7-BJ8	120.00
UPH-032	DASH TOP DEMISTER SET	BN1-BJ8	52.00
UPH-036	UNDER DASH FUZZY STRIP SET	BN4-BJ7	28.00

PANELS

UPH-005A	FOOTWELL PANEL SET	BN1-BN2	83.00
UPH-005	FOOTWELL PANEL SET	BN4-BJ7	95.00
UPH-006	FOOTWELL PANEL SET	BJ8	95.00

DOR-001	DOOR PANEL SET	BN1-BN2	203.00
DOR-002	DOOR PANEL SET	BN4-BT7	308.00
DOR-003	DOOR PANEL SET	BJ7	240.00
DOR-004	DOOR PANEL SET	BJ8	315.00

DOR-043	ROUND PAD FOR WIN & DOOR HANDLES	BJ8	3.30
DOR-005	PANEL SCREW & WASHER	BN1-BJ8	0.45
DOR-006	DOOR PANEL CLIP	BJ8	0.55
UPH-022	DOOR TOP ARM REST SET (BLACK)	BJ7-BJ8	165.00

UPH-025	REAR PANEL SET WITH WHL ARCH	BN1-BN2	93.50
UPH-026	REAR PANEL SET	BN6-BN7	176.00
UPH-027	REAR PANEL SET	LNGBRIDGE	187.00
UPH-028	REAR PANEL SET	BN4-BT7	99.00
UPH-017	REAR PANEL SET	BJ7	99.00
UPH-007A	REAR PANEL SET (PHASE I)	BJ8	370.00
UPH-007	REAR PANEL SET (PHASE II)	BJ8	350.00
UPH-043	DECK FOR WHEEL ARCH (LH/RH)	BN4-BT7	30.00

BACKRESTS

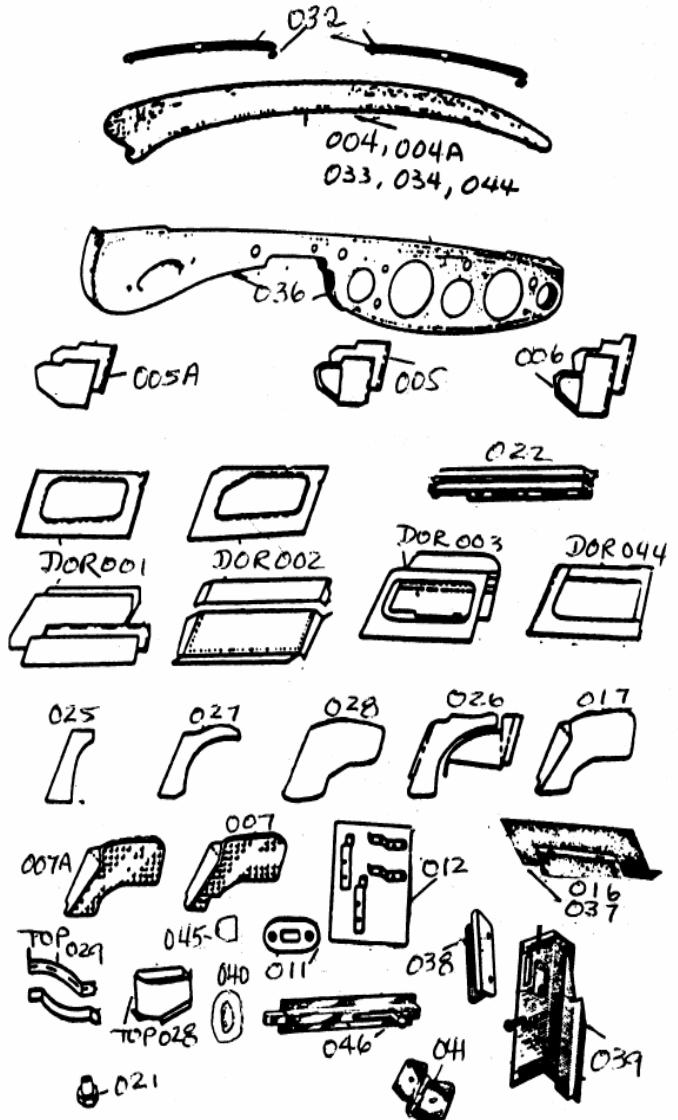
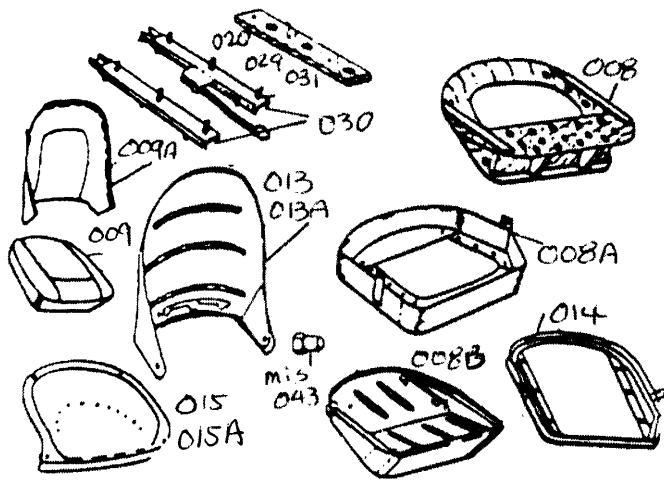
UPH-012	BACKREST PEG & BRACKET	BN4,BT7	40.00
UPH-038	BACKREST LATCH TRACK (PR)	BN4,BT7	45.00
UPH-039	BACKREST BRACKET (LH/RH)	BJ7	25.00

UPH-046	BACKREST SLIDING BOLT	BJ8	48.00
UPH-011	BACKREST BOLT CHROME BRACKET	BJ8	18.00
UPH-040	BACKREST BOLT OVAL PANEL	BJ8	9.00
UPH-048	BACKREST RECTANGULAR SIDE PLATE	BJ8	7.00
UPH-045	BACKREST TOP LOCATING BRACKET	BJ8	5.50
UPH-041	BACKREST HINGE SET (5 HINGES)	BJ8	110.00

BACKREST WOOD SECTIONS, CALL FOR PRICE

REAR DECK KITS

UPH-016	REAR ARMACORD KIT & SPARE WHL BAG	BN1-BN2	275.00
UPH-037	REAR ARMACORD KIT	BN6-BN7	60.00



SEATS (all front seat kits include console arm rest)

UPH-002	FRONT SEAT KIT (VINYL)	BN1-BJ7	430.00
UPH-002L	FRONT SEAT KIT (LEATHER)	BN1-BJ8	770.00
UPH-002A	ORIGINAL STYLE FRONT SEAT KIT	BJ8	750.00
UPH-003	REAR SEAT KIT (VINYL)	BN4-BJ7	265.00
UPH-003L	REAR SEAT KIT (LEATHER)	BN4-BJ7	390.00
UPH-003AL	REAR SEAT KIT (LEATHER)	BJ8	800.00
UPH-003A	ORIGINAL STYLE REAR SEAT KIT	BJ8	525.00
TOP-015	UPHOLSTERY CLIP	BN4-BJ8	0.38
UPH-009	FOAM SEAT CUSHION (LH/RH)	BN1-BJ8	50.00
UPH-009A	FOAM SEAT BACK	BN1-BJ8	30.00
UPH-008	WOOD SEAT PAN (LH/RH)	BN1-BN4	85.00
UPH-008A	METAL SEAT PAN (LH/RH)	BN1-BN4	180.00
UPH-013A	METAL SEAT BACK	BN1-BN4	150.00
UPH-008B	METAL SEAT PAN (LH/RH)	BN4-BJ8	125.00
UPH-014	SEAT FRAME - FLOOR (LH/RH)	BN4-BJ8	125.00
UPH-013	SEAT BACK	BN4-BJ8	160.00
UPH-030	SEAT TRACK SET (LH/RH)	BN1-BJ8	95.00
UPH-021	SEAT TRACK NUT SET	BN1-BJ8	12.00
UPH-020	METAL SEAT TRACK SHIM SET	BN1-BJ8	15.00
UPH-031	WOOD SEAT TRACK SHIM SET	BN4-BJ8	10.00
UPH-015A	REAR SEAT PAN	BN4-BJ7	170.00
UPH-015	REAR SEAT PAN	BJ8	170.00

WHEELS/FRONT & REAR AXLES

FRONT HUB BEARINGS

WHL-001A	FRONT WHEEL OUTER BEARING	BN1	42.00
WHL-001B	FRONT WHEEL OUTER BEARING	BN2-BJ8	31.00
WHL-001C	FRONT WHEEL OUTER BEARING	BJ8*	21.00
WHL-002	FRONT WHEEL INNER BEARING	BN1	38.00
WHL-003	FRONT WHEEL INNER BEARING	BN2-BJ8	21.00

WHL-004A	FRONT WHEEL BEARING SHIM	BN2-BJ8	2.75
WHL-004	FRONT WHEEL BEARING SHIM shims are available in .003; .005; .010; .030 sizes	BJ8*BN1	1.65
WHL-038	FRONT BEARING SPACER	BN1, BJ8*	17.00
WHL-039	FRONT BEARING SPACER	BN2-BJ8	49.50
WHL-006	FRONT BEARING DUST COVER	BN1-BJ8	22.00
WHL-007	FRONT BEARING DUST COVER	BJ8*	7.00
WHL-051	SWIVEL AXLE BEARING SPACER	BJ8*	55.00

FRONT HUBS

WHL-005	FRONT WHEEL SEAL	BN1-BJ8	5.50
WHL-040	FRONT HUB TAB WASHER	BN1-BJ8	1.75
WHL-047	FRONT HUB NUT	BN1**	4.50
WHL-015	FRONT HUB STUD	BN1**	7.00
WHL-054	FRONT HUB STUD	BN2-BN6	13.00
WHL-055	FRONT HUB STUD	BN7-BJ8	9.00
WHL-008A	FRONT HUB (LH/RH)	BN1	188.00
WHL-008	FRONT HUB (LH/RH)	BN2-BN6	188.00
WHL-009	FRONT HUB: FINE THREAD (LH/RH)	BN7-BJ8	175.00
WHL-010	FRONT HUB: COARSE THREAD (LH/RH)	BJ8*	175.00

REAR HUBS

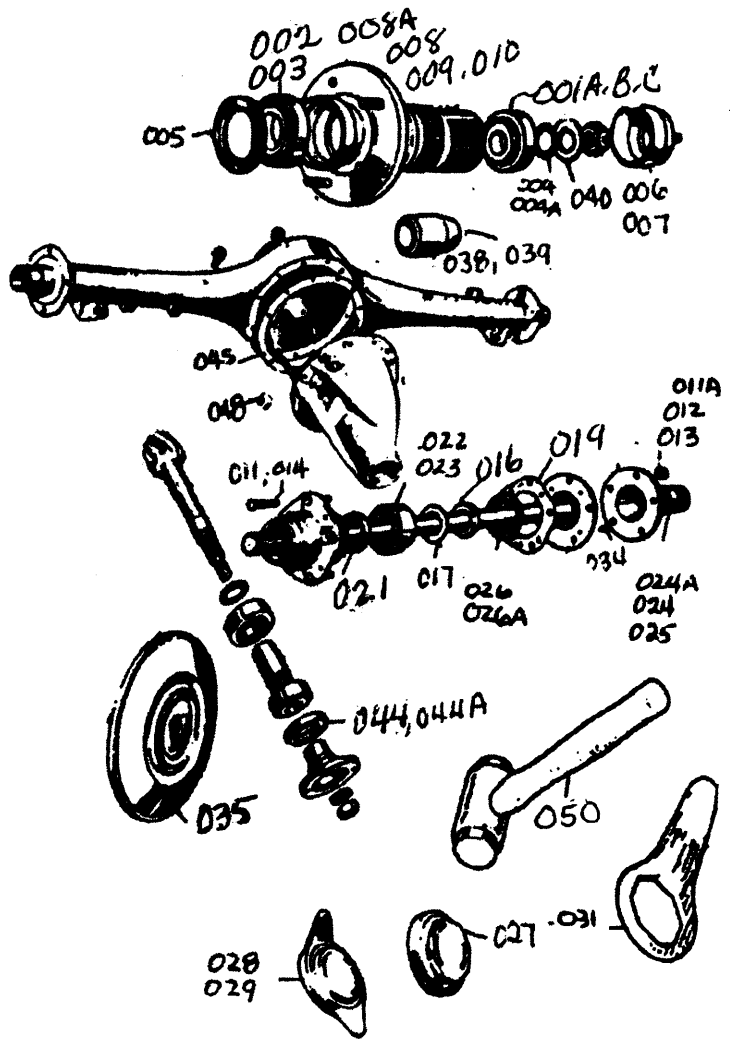
WHL-024A	REAR HUB: 4 BOLT AXLE (LH/RH)	BN1**	160.00
WHL-024	REAR HUB: FINE THREAD (LH/RH)	BN1-BJ8	130.00
WHL-025	REAR HUB: COARSE THREAD (LH/RH)	BJ8*	130.00
WHL-011A	REAR HUB NUT	BN1**	7.00
WHL-012	REAR HUB NUT	BN1-BJ8	3.30
WHL-013	DISC WHEEL NUT		6.60
WHL-011	REAR HUB STUD	BN1**	7.00
WHL-014	REAR HUB STUD	BN1-BJ8	6.00

REAR AXLE

WHL-044A	PINION SEAL	BN1**	11.00
WHL-044	PINION SEAL	BN1-BJ8	6.60
WHL-045	REAR END GASKET	BN1-BJ8	2.20

WHL-034	HALF SHAFT RETAINING SCREW	BN1-BJ8	0.77
WHL-016A	HALF SHAFT AXLE NUT	BN1	26.00
WHL-016	HALF SHAFT AXLE NUT (LH/RH)	BN2-BJ8	24.00
WHL-017	HALF SHAFT AXLE NUT TAB WASHER	BN2-BJ8	3.30
WHL-018A	HALF SHAFT O RING	BN4-BN6	2.75
WHL-018	HALF SHAFT O RING	BN4-BJ8	2.00
WHL-019A	HALF SHAFT GASKET	BN1**	3.00
WHL-019	HALF SHAFT GASKET	BN2-BJ8	1.10
WHL-020	REAR BEARING SEAL	BN1**	6.00
WHL-021	REAR BEARING SEAL	BN2-BJ8	4.40

WHL-026	REAR AXLE BREATHER	BN1-BJ8	4.40
---------	--------------------	---------	------



REAR AXLE BEARINGS

WHL-022	REAR WHEEL BEARING	BN1**	62.00
WHL-023	REAR WHEEL BEARING	BN1-BJ8	75.00

WHL-048	FRONT PINION BEARING	BN1-BJ8	45.50
WHL-049	REAR PINION BEARING	BN1-BJ8	65.00
WHL-032	CARRIER BEARING	BN1-BJ8	60.00
WHL-052	PINION BEARING SHIMS (AVAILABLE IN .002, .003, .005 .010 & .030 THICKNESSES, PLEASE SPECIFY)	BN1-BJ8	4.00

KNOCK OFFS / HUB CAPS

WHL-028	WING KNOCKOFF: FINE THREAD (LH/RH)	BN1-BJ8	45.00
WHL-029	WING KNOCK OFF: COARSE THRD (LH/RH)	BJ8*	40.00
WHL-027	OCTAGON KNOCK OFF (LH/RH)	BJ8*	40.00
WHL-035	DISC WHEEL HUB CAP		50.00

WHL-050	LEAD HAMMER		33.00
WHL-031	OCTAGON WRENCH		12.10

WHEELS

WHL-041PT	48 SPOKE PAINTED WIRE WHEEL		210.00
WHL-041CH	48 SPOKE CHROME WHEEL W/ STAINLESS SPOKES		330.00
WHL-042PT	60 SPOKE PAINTED WIRE WHEEL		210.00
WHL-042CH	60 SPOKE CHROME WHEEL W/ STAINLESS SPOKES		330.00

WHL-052	VALVE STEM CAP SET WITH AH LOGO		16.00
---------	---------------------------------	--	-------

Let us know in advance if you want to put 60 spoke wheels on cars fitted with brake drums (BN1-BN6), as these must be custom made. There is a surcharge for these wheels.

Tubeless wheels are available for an additional \$25



7211 Carroll Avenue
Takoma Park, Maryland 20912
(301) 270-8811
FAX (301) 270-8812

WINDOW & WINDSHIELD

SIDE CURTAINS

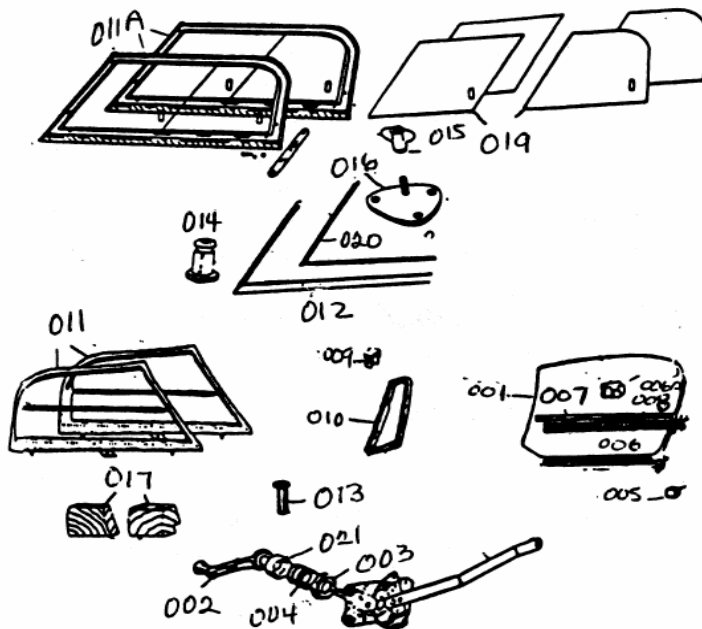
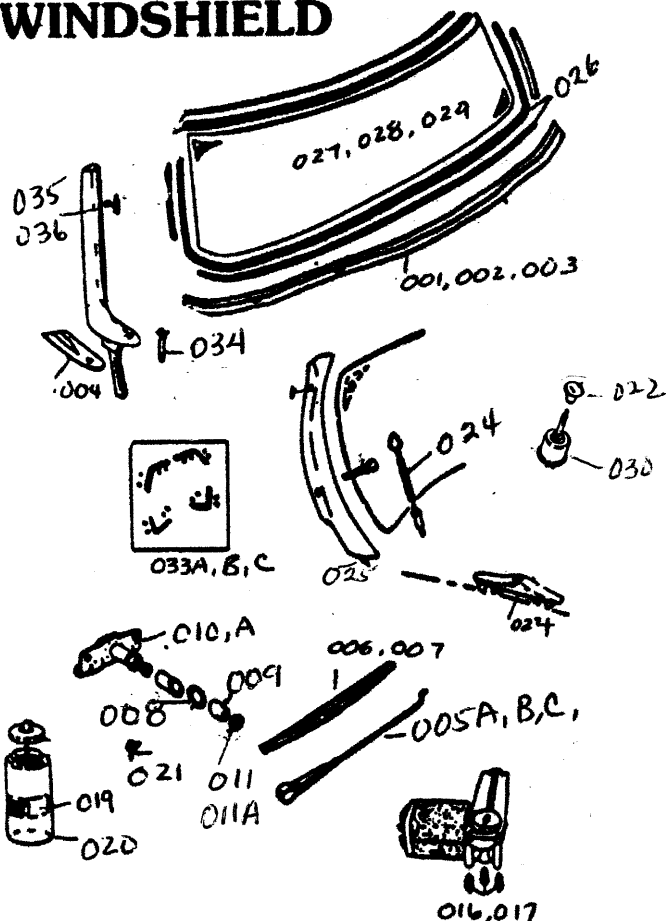
WND-011	SIDE CURTAIN (PR) (CHOICE OF COLOR)	BN1-BN2	550.00
WND-017	SIDE CURTAIN SCKET WOOD BLOCK SET	BN1-BN2	22.00
WND-013	SIDE CURTAIN SOCKET	BN1-BN2	12.00
WND-015L	SIDE CURTAIN WING NUT	LNGBRDGE	17.00
WND-016L	WING NUT PLATE	LNGBRDGE	17.00
WND-011A	SIDE CURTAIN (PAIR)	BN4-BT7	420.00
WND-019	SIDE CURTAIN PLEXIGLASS SET	BN4-BT7	80.00
WND-020	SIDE CURTAIN FELT STRIP SET	BN4-BT7	8.80
WND-012	SIDE CURTAIN RUBBER SEAL SET	BN4-BT7	22.00
WND-014	SIDE CURTAIN SOCKET	BN4-BT7	11.00
WND-015	SIDE CURTAIN WING NUT	BN4-BT7	7.70
WND-016	SIDE CURTAIN WING NUT PLATE	BN4-BT7	8.80

WINDOWS

WND-001	DOOR GLASS (LH/RH)	BJ7-BJ8	120.00
WND-018	DOOR GLASS METAL FRAME	BJ7-BJ8	66.00
WND-002	WINDOW CRANK	BJ7-BJ8	30.00
WND-003	WINDOW CRANK ESCUTCHEON	BJ7-BJ8	20.00
WND-004	WINDOW CRANK SPRING	BJ7-BJ8	3.00
WND-021	WINDOW CRANK PLASTIC CROWN	BJ7-BJ8	7.50
WND-005	WINDOW GUIDE	BJ7-BJ8	2.20
WND-006	WINDOW FUZZY SEAL	BJ7-BJ8	6.60
WND-006A	WINDOW FUZZY SEAL CLIP	BJ7-BJ8	0.40
WND-007	WINDOW RUBBER SEAL (LH/RH)	BJ7-BJ8	9.00
WND-008	WINDOW RUBBER SEAL CLIP	BJ7-BJ8	1.00

WND-009	VENT RUBBER TIP (PAIR)	BJ7-BJ8	7.00
WND-010	VENT GASKET (LH/RH)	BJ7-BJ8	19.00

WINDSHIELD



WINDSHIELDS

WNS-001	WINDSHIELD TO BODY GASKET	BN1-BN2	30.00
WNS-002	WINDSHIELD TO BODY GASKET	BN4-BT7	12.00
WNS-003	WINDSHIELD TO BODY GASKET	BJ7-BJ8	20.00
WNS-034	WINDSHIELD POST-BODY CHROME SCREW	BN4-BT7	1.65
WNS-004	WINDSHIELD POST-PAD	BN4-BT7	5.00
WNS-035	WINDSHIELD PILLAR SCREW	BN4-BT7	0.83
WNS-036	WINDSHIELD PILLAR SCREW	BJ7-BJ8	1.10

WNS-033A	WINDSHLD FRAME BRACKT & SCREW SET	BN1-BN2	30.00
WNS-033B	WINDSHLD FRAME BRACKT & SCREW SET	BN4-BT7	30.00
WNS-033C	WINDSHLD FRAME BRACKT & SCREW SET	BJ7-BJ8	42.00

WNS-026	WINDSHIELD GLASS PACKING SET	BJ7-BJ8	35.00
WNS-027	WINDSHIELD GLASS	BN1-BN2	240.00
WNS-028	WINDSHIELD GLASS	BN4-BT7	180.00
WNS-029	WINDSHIELD GLASS	BJ7-BJ8	180.00

(sorry, cannot ship windshield glass, walk in only)

WIPERS

WNS-005A	WIPER ARM	BN1	14.00
WNS-005B	WIPER ARM	BN2-BT7	14.00
WNS-005C	WIPER ARM	BJ7-BJ B	14.00
WNS-006	WIPER BLADE	BN1-BT7	10.00
WNS-007	WIPER BLADE	BJ7-BJ8	11.00

WNS-008	WIPER CHROME COVER GASKET	BN1-BJ8	1.25
WNS-009	WIPER CHROME COVER	BN2-BJ8	5.00
WNS-011A	WIPER CHROME COVER NUT	BN1	4.40
WNS-011	WIPER CHROME COVER NUT	BN2-BJ8	3.00
WNS-010	WIPER WHEEL BOX	BN2-BJ8	48.00
WNS-016	WIPER MTR MOUNT RUB BUSH & BRACKET	BN1-BJ8	8.00
WNS-017	WIPER MOTR MOUNT RUBBER BUSH	BN1-BJ8	3.00

WINDSHIELD WASHER

WNS-022	WINDSHIELD WASHER PUMP KNOB	BN4-BT7	20.00
WNS-030	WINDSHIELD WASHER PUMP	BN4-BT7	40.00
WNS-021	WINDSHIELD WASHER NOZZLE	BN4-BJ8	5.00
WNS-019	WINDSHIELD BOTTLE "TUDOR" DECAL	BJ8	2.00
WNS-020	WINDSHIELD WASHER BOTTLE	BJ8	22.00

MISCELLANEOUS: 100 FOLD DOWN MECHANISM

WNS-025	WINDSHIELD SWIVEL LINK ARM	BN1-BN2	55.00
WNS-023	WINDSHIELD FOLD DOWN RECEPTACLE	BN1-BN2	38.00
WNS-024	WINDSHIELD SPRING ASSEMBLY	BN1-BN2	34.00
WNS-040	WINDSHIELD KNURLED KNOB & PIN	BN1-BN2	35.00

MAIL IN REPAIR SERVICE

The price is only a guideline of labor charges. Additional charges based on prevailing labor rates is possible for extra work caused by rust, seizure of parts, excessive filth, or correcting previous owner/mechanic's follies.

Parts cost will be billed depending on specific requirements of your unit, and is not included below.

Rockershaft- \$350.00. This includes the installation of 12 new brushes, ream them for a proper fit to the new rocker shaft and reassemble the unit so that it is ready for installation.

Caliper- \$200.00 for BT7- BJ8 Phase I, **\$160.00** for BJ8 Phase II. Includes pressing out The pistons, examine them for rust damage & wear, replace as necessary and installing The caliper kit, bead blast and paint.

Steering Box- \$270.00. We will press out the old bush and install and ream the new bushes and replace the oil and dust seals.

Idler Box- \$155.00 same procedure as above.

King Pin- \$145.00 You'll need to send us your old spindles so that we can press out the old bushes and install new ones. A special double-stepped reaming tool is required for This operation. Additional work due to sloppy king pin machining will be billed extra.

Engine- \$2400.00 to replace pistons, bearings, valves, guides, tappets, oil pump, gaskets and seal. In addition, all machine shop costs will be passed on at cost.

Transmission- \$470.00 to replace all bearings, seal, layshaft (BJ8s), synchronizers (" baulk rings") and gears, as needed.

Overdrive- \$470.00 to replace bearings, cone clutch, piston rings, all the O rings and seal.

Add \$120.00 to bench test the overdrive and to mate up the gearbox with the overdrive.

Carburetors- \$80.00 per carb, if throttle shafts are needed add an additional \$80.00

ABOUT RESTORATION....

EXPERIENCE: Work is performed by mechanics with 35 years of experience of Healeying- not VW, Toyota, or MG.

EXTENSIVE INVENTORY: You won't have to "wait for parts to come in". Our parts prices are highly competitive. Having both new and used parts in house means we pick and choose what would work best on your car.

ACCOUNTABILITY: you get a progress report every Friday.

PREDICTABILITY: We publish a restoration cost estimate so you can budget your requirements. We can do as much or as little as you wish. We can advise you on the work you want to do yourself.

EASE: We can assist you in making arrangements to bring your Healey to us. Once the car is ready, fly into Washington National Airport, hop on the subway and you'll be at our door steps.

HEALEY SURGEONS
7211 CARROLL AVENUE
TAKOMA PARK, MD 20912



Phone: (301) 270-8811
Fax: (301) 270-8812

ORDER FORM

Date _____

Customer Information

Sold To: Purchase Order # _____

Ship To:

Phone () FAX ()

Phone () FAX ()

Name _____

Name _____

Address _____ P.O. Box _____

Address _____ P.O. Box _____

City _____ State _____ Zip _____

City _____ State _____ Zip _____

Year _____ Model _____ Serial Number _____

Quantity	Item Number	Description	Price	Total Charge

Method of Payment

CHECK ONE

- C.O.D.
 Credit Card
 DISCOVER VISA MASTER CARD AM. EXPRESS

ACCT. NO. _____

EXPIRATION DATE _____ (Month/Year)

SIGNATURE _____
(As appears on card)

SUB TOTAL		
TAX (MD. Only)		
SHIPPING WILL BE ADDED BASED ON UPS CHARGES OR FED EX CHARGES IF YOU PREFER AIR SHIPMENT		



7211 Carroll Avenue
Takoma Park, Maryland 20912
(301) 270-8811

Presorted Standard
U.S. Postage
PAID
Louisville, KY
Permit No. 276

MODEL DESIGNATION

BN1 & BN2: "100" or "100-4", 4 cylinder, 2 seater with H4 carbs. Hydraulics, rear axle, hubs and steering were changed in the middle of a production model. Produced from May '53-Aug '56.

BN4 & BN6: "100-6", 6-cylinder, with HD6 carbs. BN4 is a four seater while BN6 is a 2-seater. Produced from Aug '56-March '59. Changes were made in the hydraulic system, manifold & carbs.

BN7 & BT7: "3000" both Mark I and Mark II. BN7 is a 2-seater version, while BT7 is a 4-seater version. The MK Is were fitted with HD6 carbs; horizontal grill, while some of the MK IIs had tripple HS4 carbs and vertical grill. Some MK IIs also had a centershift transmission. MK Is were produced from March '59 to May '61. MK IIs were produced from April '61- June '62.

BJ7: also a "3000" Mark II but has roll-up windows and HS6 carbs, produced from Feb '62- Nov. '63.

BJ8: "3000" Mark III. The Phase I BJ8s were produced from Nov '63 to May '64 and the Phase II BJ8s were produced from May '64 to Nov '67. All had HD8 carbs, roll up windows and wood dash. However, changes were made in door handle design, front calipers & rotors, hubs, outer wheel bearings, light arrangements, etc.